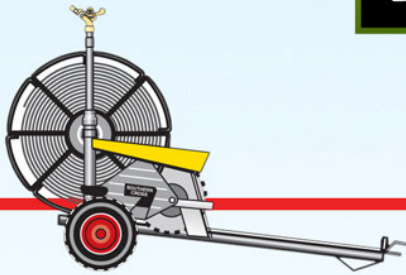




Rodney Industries

A Division of Vinidex Pty Ltd



RI-10/20/30 TRAVELLING IRRIGATORS

Hot Dip GALVANIZED

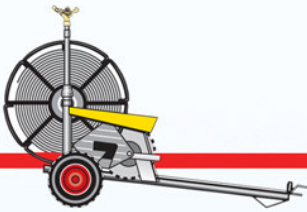
Applications

- **TURF WATERING** -
Playing Fields, Parks and Gardens, Lawn Cemeteries, Golf Courses, Race Courses.
- **AGRICULTURE** -
Small Groves, Nurseries, Turf Farms.
- **DUST CONTROL** -
Mining and Building Sites.

Features

- Self - Propelled
- Auto Stop
- Heavy Duty Design
- Integral Hose Reel (RI20/30)
- Adjustable Speed
- Power to Handle all Conditions
- Positive Drive via Winch Cable & Anchor
- Hot Dip Galvanized
- Easy to Operate





RI10/20/30 TRAVELLING IRRIGATORS

MODEL

SPECIFICATIONS

RI-10



IRRIGATOR MODEL: RI-10
SPRINKLER: NAAN 254 Impact
HOSE: 55 metres x 25mm (1 inch)
FLOW RATE: 0.69 to 1.37 litres per second
OPERATING PRESSURE RANGE: 245 to 345 kPa
TRAVEL DISTANCE PER RUN: 110 metres
WETTED WIDTH: 34 to 40 metres
DRIVING MECHANISM: Water-jet powered rotary driving arms acting through high quality worm reduction drive to cable winch
CONSTRUCTION: Heavy duty welded steel chassis all hot dip galvanized

RI-20



IRRIGATOR MODEL: RI-20
SPRINKLER: NAAN Magnum 21
HOSE: 67 metres x 40mm (1 ¼ inch)
FLOW RATE: 2.73 to 5.99 litres per second
OPERATING PRESSURE RANGE: 400 to 500 kPa
TRAVEL DISTANCE PER RUN: 130 metres
WETTED WIDTH: 51 to 69 metres
DRIVING MECHANISM: Water-jet powered rotary driving arms acting through high quality worm reduction drive to cable winch
HOSE REEL: Galvanized steel with hose layout guide arm
CONSTRUCTION: Heavy duty welded steel chassis all hot dip galvanized
OPTION: Choice of skid or front wheels

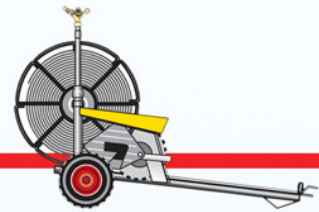
RI-30



IRRIGATOR MODEL: RI-30
SPRINKLER: NELSON P85 Sprinkler
HOSE: 100 metres x 50mm (2 inch) Angus Hi-Flow lay flat. Irrigation hose with quick coupling connections.
FLOW RATE: 1.7 to 7.3 litres per second
OPERATING PRESSURE RANGE: 413 to 551 kPa
TRAVEL DISTANCE PER RUN: 200 metres
WETTED WIDTH: 46 to 70 metres
DRIVING MECHANISM: Powerful piston type water motor with lever action drive to large diameter cable winch.
HOSE REEL: Vertical type for easy layout and rewind.
CONSTRUCTION: Heavy duty welded steel chassis all hot dip galvanized

RI10/20/30 TRAVELLING

IRRIGATORS



PERFORMANCE DATA

Sprinkler and Hose	Nozzle Diam. Mm (ins)	Sprinkler Pressure kPA (psi)	Flow Rate l/sec (gpm)	Friction Loss in Hose kPa (psi)	Sprinkler Wetted Width m (ft)	Average Application Rate/hr mm (points)	Depth of water Applied Per Run mm (inches) @ Travel Speed		
RI-10 NAAN 254 Sprinkler 55m x 25mm Hose (110m Spray Run)	6.0 (15/64)	245 (35)	0.81 (10.68)	69 (10)	34 (111)	3.5 (13.8)	18 (0.71) @ 7m/hr		
		294 (42)	0.91 (12.05)	83 (12)	36 (118)	3.5 (13.8)	20 (0.79) @ 7m/hr		
		345 (50)	1.02 (13.41)	90 (13)	39 (127)	3.5 (13.8)	21 (0.83) @ 7m/hr		
	6.5 (1/4)	245 (35)	0.86 (11.34)	76 (11)	34 (111)	3.8 (15.0)	20 (0.79) @ 7m/hr		
		294 (42)	0.96 (12.71)	83 (12)	36 (118)	3.8 (15.0)	21 (0.83) @ 7m/hr		
		345 (50)	1.07 (14.10)	117 (17)	39 (127)	3.8 (15.0)	22 (0.87) @ 7m/hr		
	7.0 (9/32)	245 (35)	0.99 (13.10)	90 (13)	36 (118)	3.8 (15.0)	22 (0.87) @ 7m/hr		
		294 (42)	1.10 (14.76)	117 (17)	38 (124)	4.0 (15.7)	23 (0.91) @ 7m/hr		
		345 (50)	1.24 (16.34)	152 (22)	40 (131)	4.0 (15.7)	24 (0.94) @ 7m/hr		
	7.5 (19/64)	245 (35)	1.11 (14.71)	117 (17)	36 (118)	4.3 (16.9)	24 (0.94) @ 7m/hr		
		294 (42)	1.25 (16.45)	152 (22)	38 (124)	4.3 (16.9)	25 (0.98) @ 7m/hr		
		345 (50)	1.37 (18.14)	172 (25)	40 (131)	4.3 (16.9)	27 (1.06) @ 7m/hr		
RI-20 NAAN Magnum 21 Sprinkler 67m x 40mm Hose (130m Spray Run)	9 x 6.5 x 3.2 (11/32 x 1/4 x 1/8)	400 (58)	2.73 (36)	76 (11)	51 (167)	5.5 (21.7)	48.3 (1.9) @ 4m/hr		
		500 (73)	3.03 (40)	97 (14)	53 (174)	5.6 (22.2)	50.8 (2.0) @ 4m/hr		
	11 x 6.5 x 3.2 (7/16 x 1/4 x 1/8)	400 (58)	3.56 (47)	117 (17)	54 (177)	6.4 (25.0)	58.4 (2.3) @ 4m/hr		
		500 (73)	3.86 (51)	145 (21)	58 (190)	6.1 (23.9)	61.0 (2.4) @ 4m/hr		
	12 x 6.5 x 3.2 (15/32 x 1/4 x 1/8)	400 (58)	3.64 (48)	131 (19)	57 (187)	5.9 (23.3)	58.4 (2.3) @ 4m/hr		
		500 (73)	4.17 (55)	159 (23)	62 (203)	5.7 (22.3)	61.0 (2.4) @ 4m/hr		
	13 x 6.5 x 3.2 (1/2 x 1/4 x 1/8)	400 (58)	4.17 (55)	159 (23)	60 (197)	6.0 (23.8)	63.5 (2.5) @ 4m/hr		
		500 (73)	5.00 (66)	234 (34)	65 (213)	6.2 (24.5)	68.6 (2.7) @ 4m/hr		
	14.5 x 6.5 x 3.2 (9/16 x 1/4 x 1/8)	400 (58)	4.70 (62)	221 (32)	62 (203)	6.4 (25.3)	68.6 (2.7) @ 4m/hr		
		500 (73)	5.30 (70)	269 (39)	65 (213)	6.6 (26.0)	73.7 (2.9) @ 4m/hr		
	15 x 6.5 x 3.2 (5/8 x 1/4 x 1/8)	400 (58)	5.38 (71)	276 (40)	65 (213)	6.7 (26.3)	73.7 (2.9) @ 4m/hr		
		500 (73)	5.99 (79)	310 (45)	69 (226)	6.6 (26.0)	78.7 (3.1) @ 4m/hr		
RI-30 Nelson P85 Sprinkler 100m x 50mm Hose (200m Spray Run)	8.7 (11/32)	413 (60)	1.68 (22.2)	9 (1.3)	46 (152)	4.0 (15.6)	11hr Run	23hr Run	47hr Run
		551 (80)	1.93 (25.5)	12 (1.7)	51 (166)	4.0 (15.6)	10 (0.40)	21 (0.84)	44 (1.73)
	9.5 (3/8)	413 (60)	1.99 (26.3)	12 (1.8)	48 (158)	4.4 (17.3)	12 (0.46)	24 (0.96)	50 (1.95)
		551 (80)	2.30 (33.0)	16 (2.3)	52 (172)	4.4 (17.3)	12 (0.49)	26 (1.02)	53 (2.08)
	10.3 (13/32)	413 (60)	2.35 (31.0)	17 (2.4)	51 (166)	4.8 (19.0)	13 (0.52)	27 (1.08)	56 (2.20)
		551 (80)	2.70 (35.7)	22 (3.2)	55 (180)	4.8 (19.0)	14 (0.55)	29 (1.14)	59 (2.33)
	11.1 (7/16)	413 (60)	2.68 (35.4)	21 (3.1)	52 (172)	5.1 (19.9)	14 (0.57)	30 (1.19)	62 (2.43)
		551 (80)	3.11 (41.1)	30 (4.3)	57 (186)	5.1 (19.9)	15 (0.61)	32 (1.27)	66 (2.60)
	11.9 (15/32)	413 (60)	3.07 (40.5)	28 (4.1)	54 (178)	5.4 (21.3)	16 (0.62)	33 (1.31)	68 (2.67)
		551 (80)	3.55 (46.8)	37 (5.4)	59 (194)	5.4 (21.3)	17 (0.66)	35 (1.39)	72 (2.83)
	12.7 (1/2)	413 (60)	3.48 (45.9)	38 (5.5)	56 (184)	5.8 (22.7)	18 (0.69)	36 (1.43)	74 (2.93)
		551 (80)	4.03 (53.2)	47 (6.8)	61 (200)	5.8 (22.7)	19 (0.73)	39 (1.53)	80 (3.13)
13.5 (17/32)	413 (60)	3.90 (51.5)	43 (6.3)	58 (190)	6.1 (23.9)	19 (0.75)	40 (1.56)	82 (3.22)	
	551 (80)	4.53 (59.8)	65 (9.5)	63 (206)	6.1 (23.9)	20 (0.80)	42 (1.67)	87 (3.42)	
14.3 (9/16)	413 (60)	4.36 (57.5)	59 (8.6)	59 (194)	6.4 (25.2)	21 (0.81)	43 (1.70)	88 (3.48)	
	551 (80)	5.06 (66.7)	79 (11.5)	65 (212)	6.4 (25.2)	22 (0.87)	46 (1.82)	94 (3.71)	
15.9 (5/8)	413 (60)	5.30 (69.9)	88 (12.7)	63 (206)	7.0 (27.7)	24 (0.94)	50 (1.96)	102 (4.0)	
	551 (80)	6.12 (80.8)	114 (16.6)	68 (222)	7.0 (27.7)	25 (1.00)	53 (2.10)	109 (4.3)	
17.5 (11/16)	413 (60)	6.38 (84.2)	117 (17.0)	65 (212)	8.0 (31.6)	28 (1.10)	58 (2.29)	119 (4.7)	
	551 (80)	7.33 (96.7)	147 (21.4)	70 (230)	8.0 (31.6)	29 (1.16)	61 (2.42)	126 (4.9)	

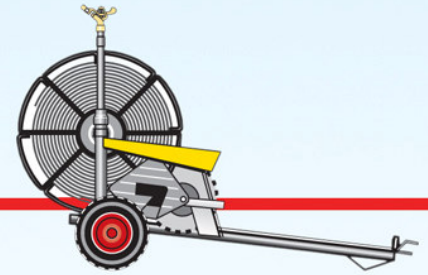


Rodney Industries

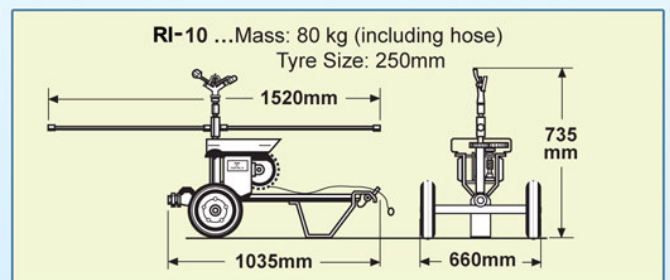
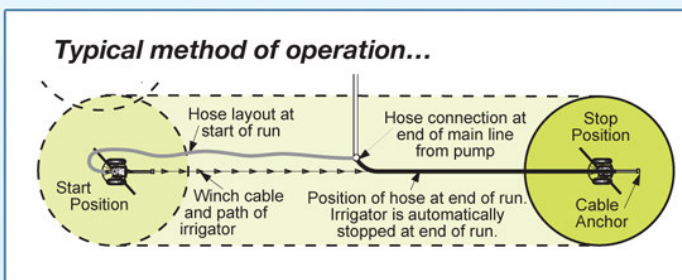
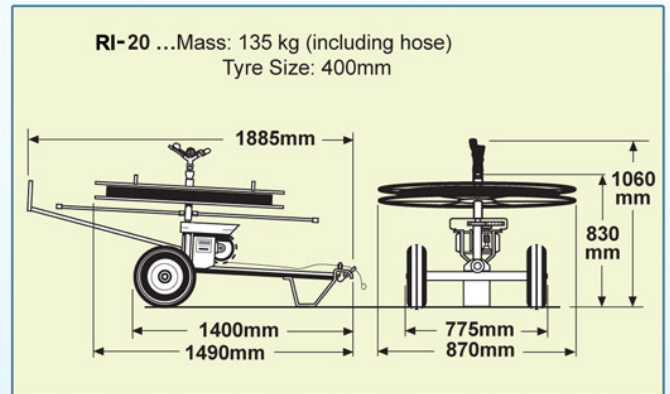
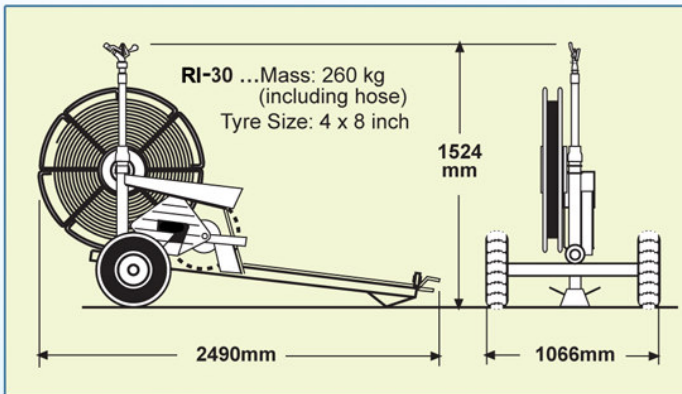
A Division of Vinidex Pty Ltd

Vinidex
Systems & Solutions

RI-10/20/30 TRAVELLING IRRIGATORS



Hot Dip GALVANIZED



Distributed by...

Rodney Industries

As a Division of Vinidex Pty Ltd

19 Valente Close,
Chermside, QLD 4032

Ph: 07 3624 0300

Fax: 07 3624 0399

Email: sales@rodneyind.com.au

Web: www.rodneyind.com.au