

AMIAD MEDIA FILTERS

For flow rates up to 90 m³/h per unit



- Corrosive Resistant: Phosphate pre-treated, polyester coated steel.
- Meets ISO 9003 standards.
- Various connection types available to meet all international requirements.
- All filters are rated to 10 bar.
- High efficiency: Advanced designing allows perfect water distribution during filtering and backwashing.
- Modularity and flexibility : Wide range of vessel types and sizes allows suitability to many filtration applications.
- Complete filtration solutions: Custom designed, manually or automatically backwash systems complete with manifolds, valves and control.
- Suitable for various bed types: sand, gravel, active carbon, anthracite, etc.

Filtration Principles

Filtering with media filters is also recognized as depth filtration. The media filters perform the filtration of water through a thick layer of graded particles. These particles can be sand, gravel or other granular materials. The filtration rate depends on the effective size of the bedding and the velocity through the filter.

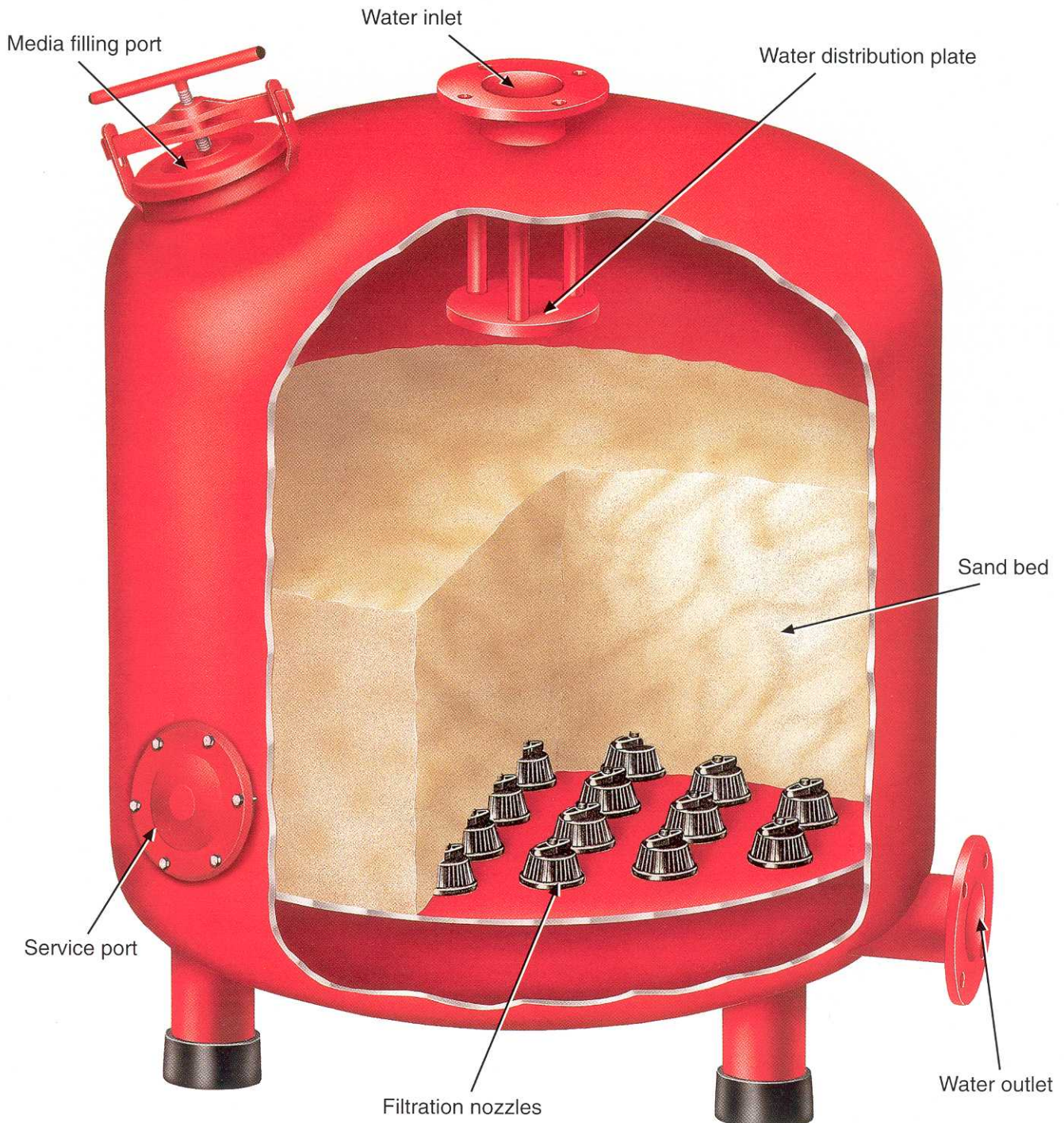
Water enters through the filter inlet and percolates through the filter bed. When suspended matter comes in contact with media particles, it adsorbs on it. Clean water then goes via the filtration nozzles through the filter outlet.

Cleaning is done by backwashing. Water is inserted in reverse direction - from the nozzles upwards, causing

suspension of the filter bed, thus releasing the suspended matter from the bedding and it is flushed out through a backwash valve.

Backwashing may be done automatically according to pressure differential and / or according to time.

Amiad offers a complete line of manifolds, accessories and control systems for single or multiple media filters. With over 30 years of filtration experience, Amiad Customer Support Department is at your service in designing complete media filtration systems with gravel, sand, active carbon or multi layer beddings; for manual or automatic operation, for single or multi units, manifolded for complete filtration solutions.



Technical Specifications

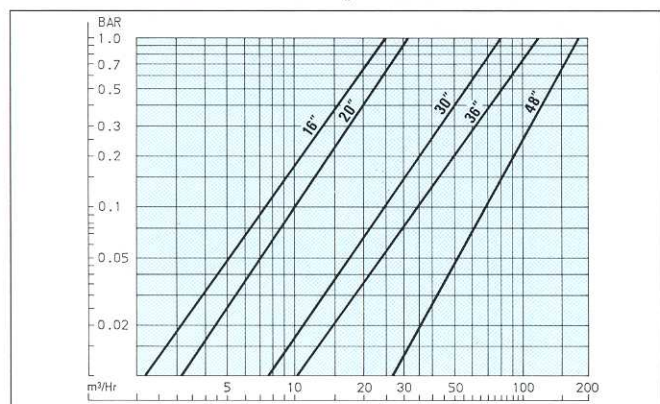
Nominal size	Vessel diameter [mm]	Inlet & outlet [mm]	In-Out Connection	Catalogue number	Flow rate range [Cu.m/Hr]	Bed depth [mm]	Bed volume [litre]	Bed weight [kg]	Weight w/o bed [kg]	Vessel volume [litre]
2"/16"	400	40 or 50	thread	38-90-162-03	6-10	500	65	100	35	90
2"/20"	500	50	thread	38-90-202-03	10-18	500	100	160	50	150
3"/30"	750	80	flange victaulic	38-90-303-00 38-90-303-09	15-35	400	175	280	125	350
3"/36"	900	80	flange victaulic	38-90-363-00 38-90-363-09	30-50	400	270	420	200	493
4"/48"	1200	100	flange victaulic	38-90-484-00 38-90-484-09	50-90	400	450	720	300	937

Maximum working pressure: 10 bar

Testing pressure: 16 bar

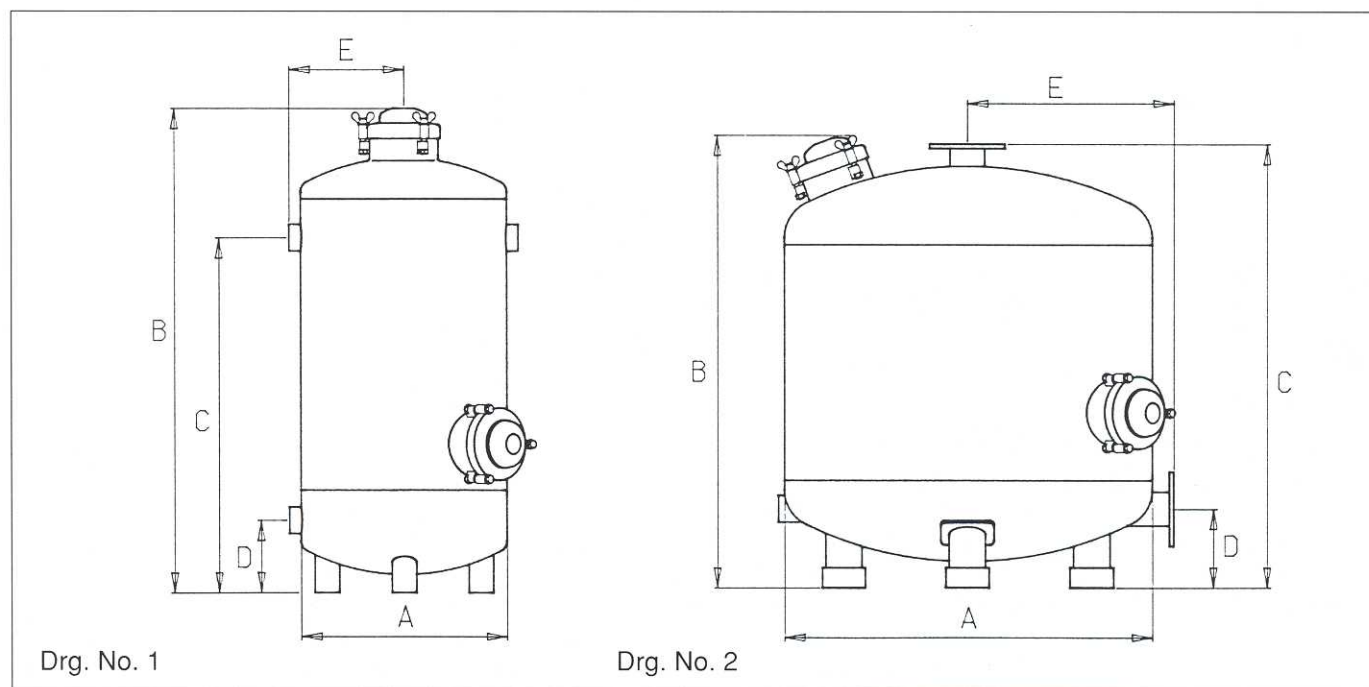
Maximum temperature: 60°C

Pressure Loss Graph



Dimensions

	16"	20"	30"	36"	48"
A	406	508	750	900	1200
B	1100	1200	1125	1125	1080
C	840	880	1100	1100	1100
D	150	180	196	196	365
E	230	282	430	507	655
Drg. No.	1	1	2	2	2

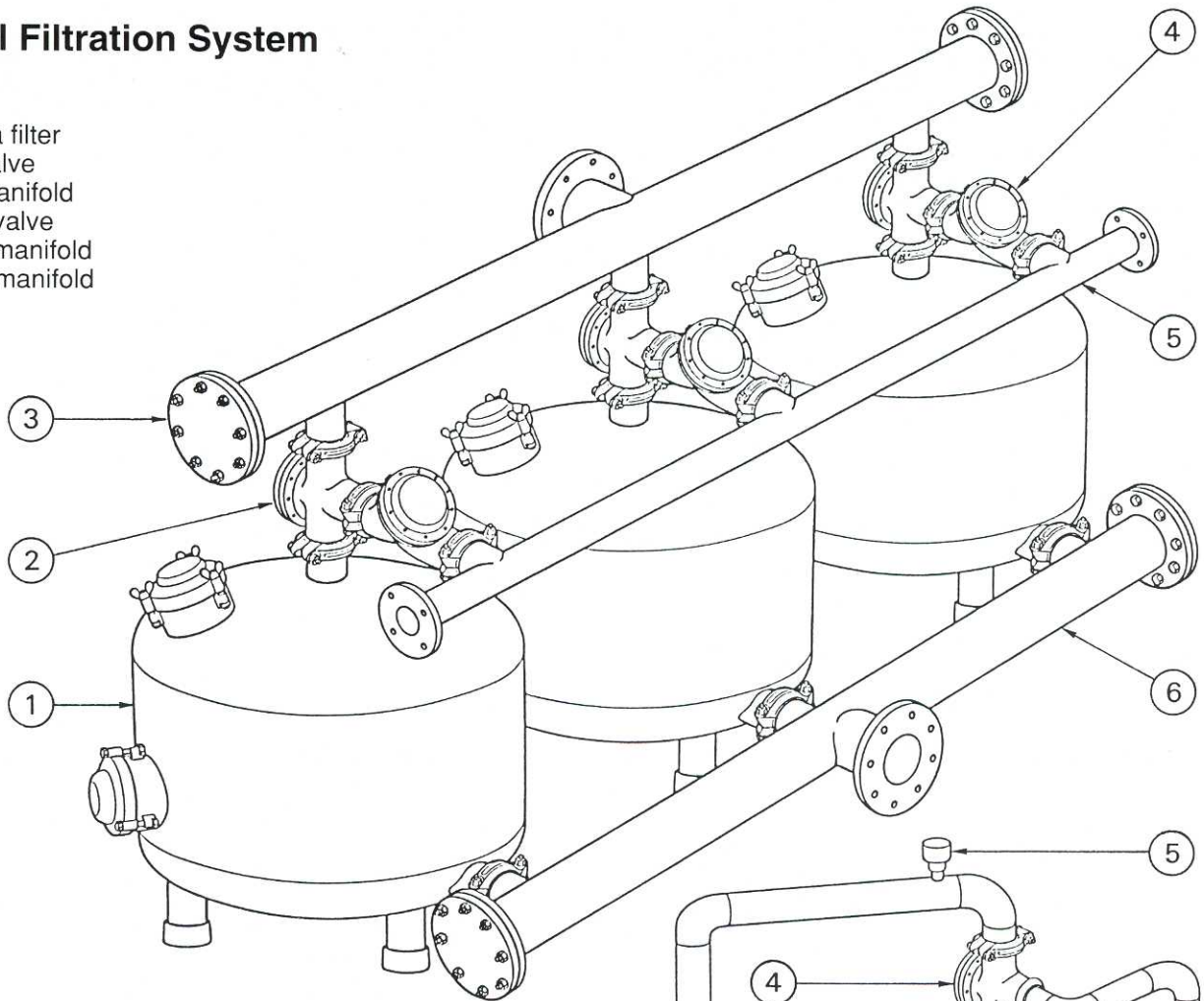


Typical Installations

8" Gravel Filtration System

Key:

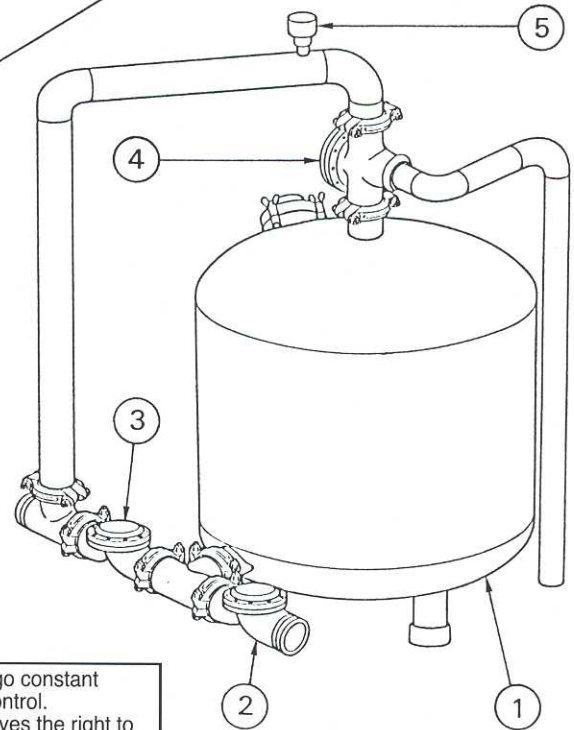
1. 48" Media filter
2. 4" Inlet valve
3. 8" Inlet manifold
4. Flushing valve
5. Flushing manifold
6. 8" Outlet manifold



36" Automatic Sand Filter System

Key:

1. 36" Media filter
2. 3" Outlet hydraulic valve
3. 3" Hydraulic valve
4. 3"x2" backwash valve
5. Air release valve



AMIAD products undergo constant monitoring for quality control. The manufacturer reserves the right to incorporate changes and improvements in the product without prior notice.

Ref: 95-044-400-002/5.00

amiad filtration systems

Manufacturer and Head Office: Amiad Filtration Systems (1997) Ltd.

D.N. Galil Elyon 1 • 12335 • Israel • Tel: +972-6-690-9500 • Fax: +972-6-690-9391 • E-Mail: mkrktng@amiad.co.il

North America: Amiad Filtration Systems • 2220 Celsius, Unit B • Oxnard, CA. 93030 • USA • Tel: (805)988-3323 • Fax: (805)988-3313

Australia: Amiad Australia Pty. Ltd. • 3/15 Brisbane St. • Eltham • Victoria 3095 • Tel: 03-9439-3533 • Fax: 03-9439-1612

Germany: EZ Filters • Parkstrasse 88 • 22605 Hamburg • Germany • Tel: +49-40-822-6510 • Fax: +49-40-822-6064

France: Amiad Systèmes de Filtration • 4-6, Boulevard Exelmans • 75016 Paris • France • Tel: +33-14-647-7679 • Fax: +33-14-647-6716

South America: Amiad Sur • José Ellauri 357/Of.803 • Montevideo CP 11300 • Uruguay • Tel: +598-2-711-0723 • Fax: +598-2-711-2469

Singapore: F.C.S. Pte. Ltd. • 111 North Bridge Road • #07-31 Peninsula Plaza • Singapore 179098 • Tel: +65-337-6698 • Fax: +65-337-8180