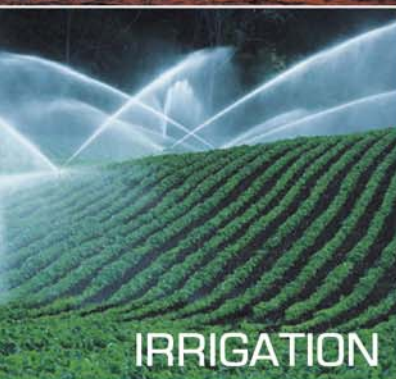
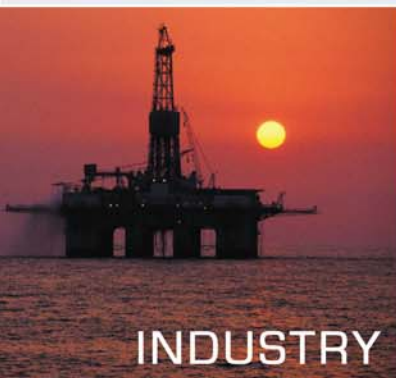


# STEEL FILTER SERIES



All-purpose steel filters from 2" to 14",  
for flow rates up to 1000 m<sup>3</sup>/h.



- ▶ Interchangeable filter element types and a wide range of filtration degrees, from 3500 to 50 micron.
- ▶ Corrosion resistant, high quality coating, as well as stainless steel housings.
- ▶ Available with exclusive features for semi-automatic cleaning.



**AMIAD** FILTRATION SYSTEMS

# AMIAD STEEL FILTERS

- ▶ Amiad steel filters are available with different filter elements to suit different filtering requirements and filtration degrees. See table below.
- ▶ These all purpose filters are made of carbon steel with high quality polyester coating. Housings are also available in stainless steel.
- ▶ The filter elements can easily be extracted from the filter housing for rinsing. No tools are required for maintenance.
- ▶ Amiad steel filters may also be upgraded to semi-automatic functioning by adding one of the innovative features of the Turboclean, Scanaway or Brushaway assemblies. For detailed information check the specific brochures on semi-automatic filters.
- ▶ An exclusive "Traffic Light" (clogging indicator) can be fitted on the pressure check points to let you know visually the condition of the filter element.

## Filter elements

A wide range of filter elements and filtration degrees are available for Amiad's steel filters.

## Screen elements

The screen elements are constructed of molded plastic ribs that support a stainless steel weave wire screen (1) with filtration degrees from 50 to 500 micron.

For coarse filtration (straining) between 800 and 3500 micron, Amiad offers perforated stainless steel screens (2).

Suspended solids accumulate on the inside surface of the screen. The screen can be easily removed from the housing to be rinsed manually.

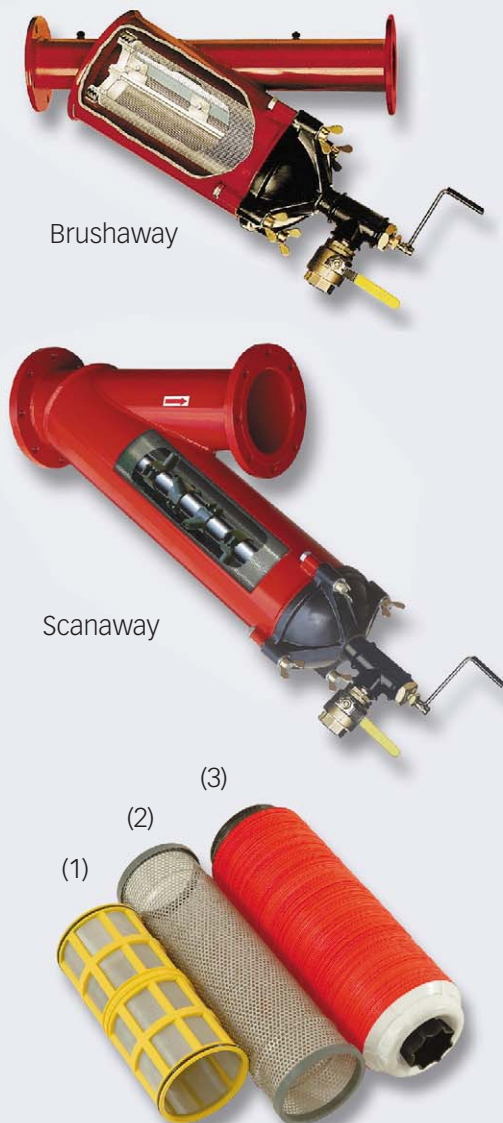
The direction of flow in these elements is from the inside out along the element, so that inorganic suspended solids are accumulated mainly at the lower end of the element and can be removed by means of a flush valve. The screen elements are especially suitable for the separating of inorganic particles and create a very low head loss.

The different filtration degrees are color-coded. The cylinder incorporates two O-rings to ensure perfect sealing inside the filter housing.

## Disc elements

These elements are constructed from plastic discs that are stacked onto a telescopic core (3). The discs are grooved on both sides. These grooves intersect to form the filtration element when compressed on the core. The disc element provides especially effective retention of organic matter.

The effective filtration area is comprised of both the outside surface and the channels formed by the intersected grooves. Suspended organic particulate adheres to the grooved surface. Cleaning the disc element is made simple by the unique design of the telescopic core, which allows the discs to separate during the cleaning process. Two O-rings allow perfect sealing inside the filter housing.



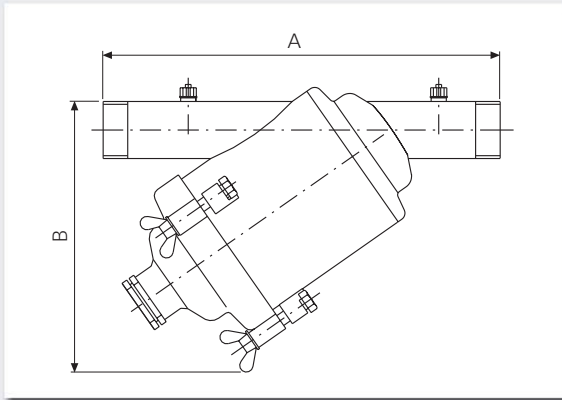
## Filtration degrees available

Color	Orange	Black	Yellow	Red	Purple	White	Brown	Blue	Green	Gray			
Micron	50	80	100	130	180	200	250	300	500	800	1500	2500	3500
Mesh	300	200	155	120	80	75	60	50	30	20	10	6	4
2",3",4"	■	■	■ ■	■ ■	■	■	■	■	■	■	■	■	■
4"S -14"	■	■	■	■		■		■	■	■	■	■	■

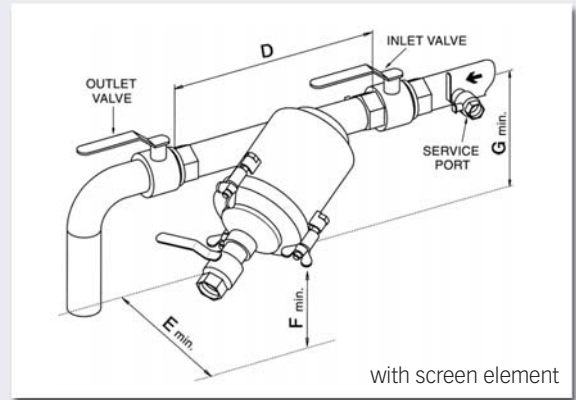
■ Weave Wire Screen   ■ Disc Element   ■ Perforated Screen

## 2" - 4" STEEL FILTERS FOR FLOW RATES UP TO 80 m<sup>3</sup>/h

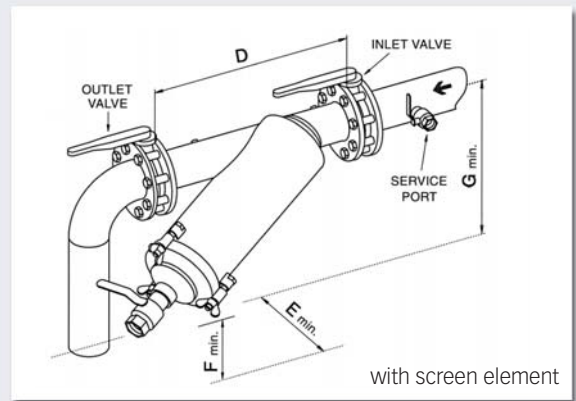
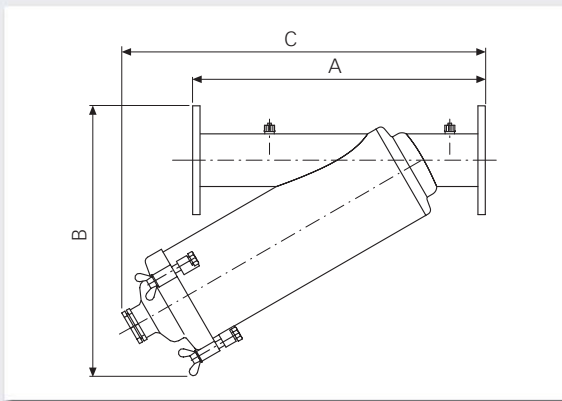
### 2" In-Line



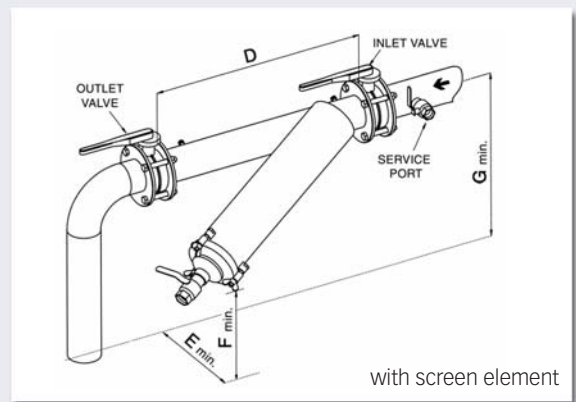
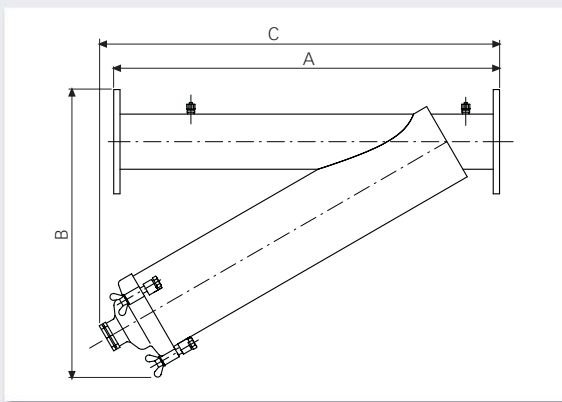
### Suggested installations\*



### 3" In-Line



### 4"-C In-Line

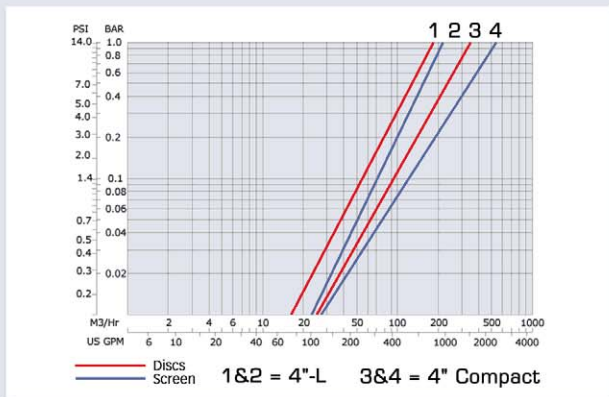
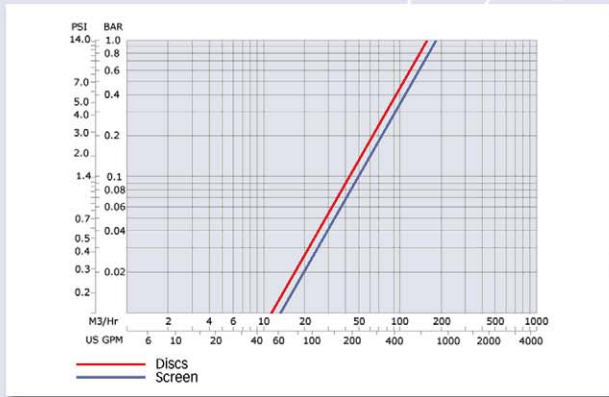
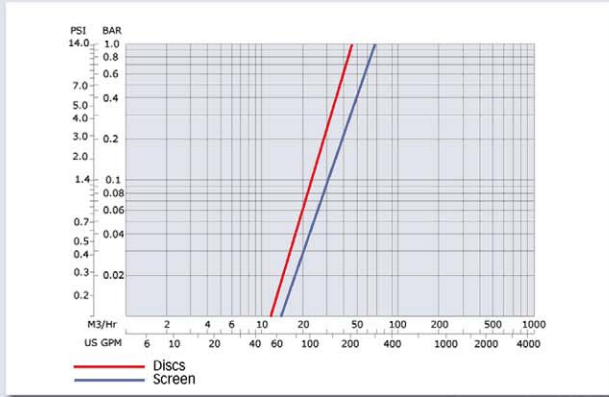


\*With disc element, flow must be in opposite direction

### Dimensions and weight

Filter type	Filter size	Inlet/Outlet connections	Weight [kg]		Dimensions [mm]						
			Screen	Discs	A	B	C	D	E	F	G
2" In-Line	50mm	Threads	7.3	8.1	420	290	-	420	200	70	250
2" In-Line	50mm	Flanges	10.5	11.3	460	343	-	420	200	70	250
3" In-Line	80mm	Threads	13.6	15.2	545	410	620	495	260	135	400
3" In-Line	80mm	Flanges	16.6	18.2	495	457	605	495	260	135	400
4"-C In-Line	100mm	Flanges	27.5	30	800	600	830	800	350	230	580

## Pressure loss graphs



### 2" In-Line



### 3" In-Line



### 4"-C In-Line



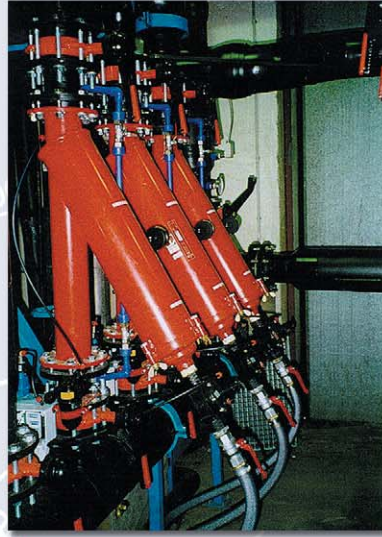
## Technical specifications

Filter type	In-Out diameter [mm; inch]	Maximum flow rate [m <sup>3</sup> /h]	Filter area [cm <sup>2</sup> ]			Construction materials
			Weave Wire	Perforated Screen	Disc Element	
2" In-Line	50 mm; 2"	25	465	700	790	Housing and Lid: Phosphate pre-treated steel 37-2 with polyester coating
3" In-Line	80 mm; 3"	50	930	1430	1700	Seals: Nitril rubber
4"-C	100 mm; 4"	80	1850	2175	2600	Weave Wire screen: Polypropylene + Glass Fibers, St.St., Nitril rubber
Also available (See picture across)						Disc element: Polyethylene, Nitril rubber
4"-L	100 mm; 4"	80	930	1430	1700	Perforated screen: St.St. 316
Maximum working pressure: 10 bar		Maximum working temperature: 60°C				

# SELECTED WORLDWIDE APPLICATIONS



▲ Reservoir water for irrigation. Zimbabwe



▲ Re-circulated cooling water. Plastic manufacturer, Austria



▲ Cooling water filtration. Food manufacturer, Israel

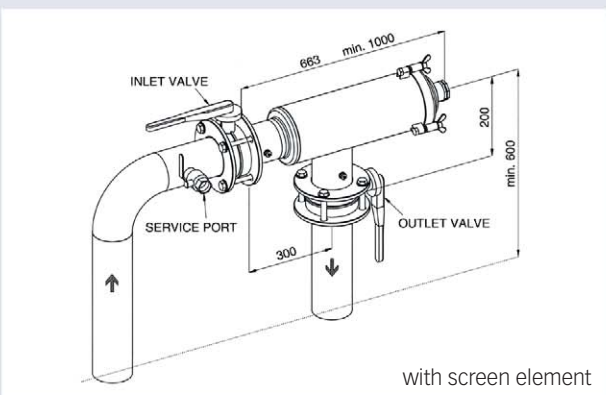


▲ Row crop irrigation. Texas, USA



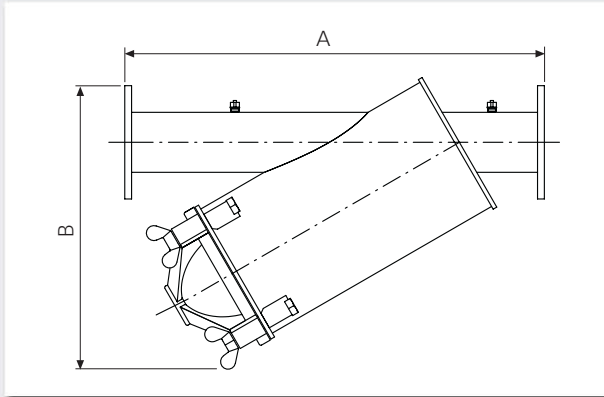
▲ Pre-filtration, Zebra mussel control. Mud-Creek, USA

## 4"-L Filter

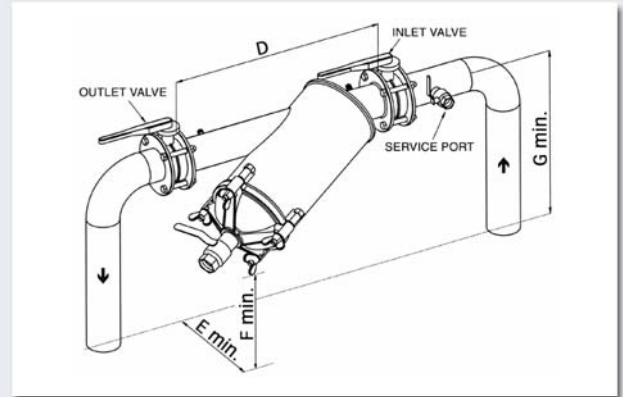


# 4"-S - 8" STEEL FILTERS FOR FLOW RATES UP TO 300 m<sup>3</sup>/h

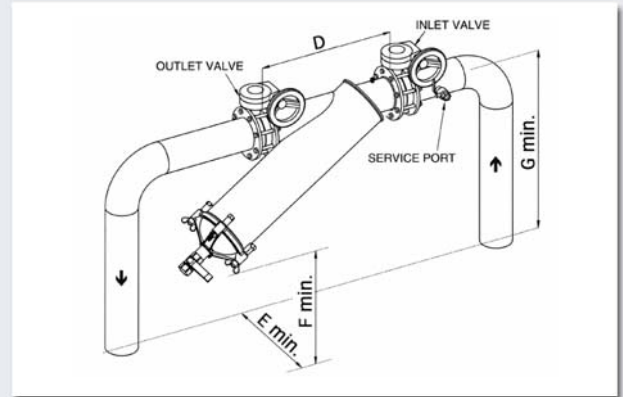
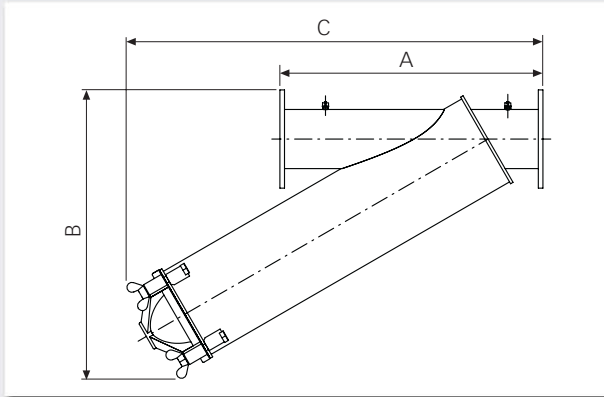
## 4"-Super In-Line/6" In-Line



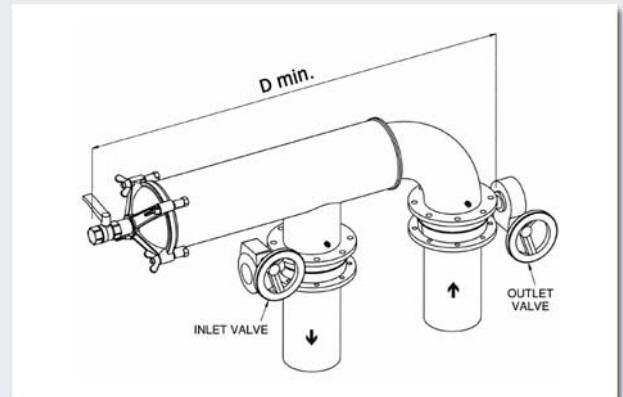
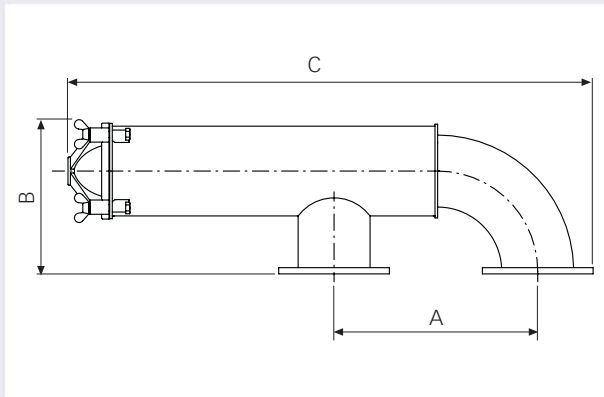
## Suggested installations



## 6"-Super In-Line/8" In-Line



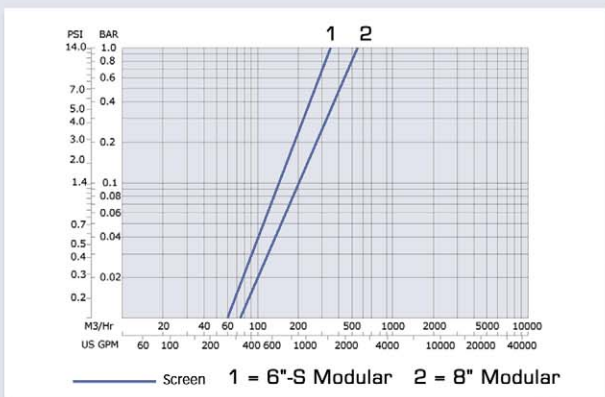
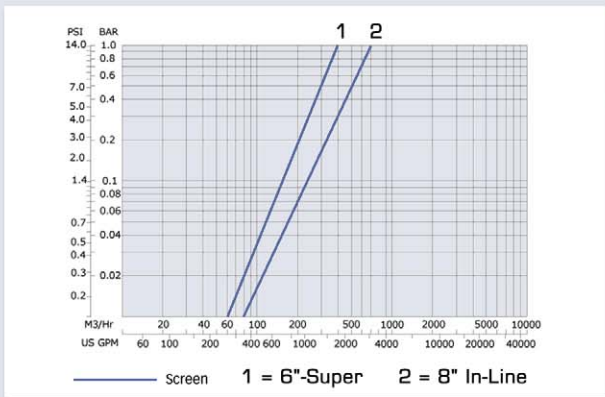
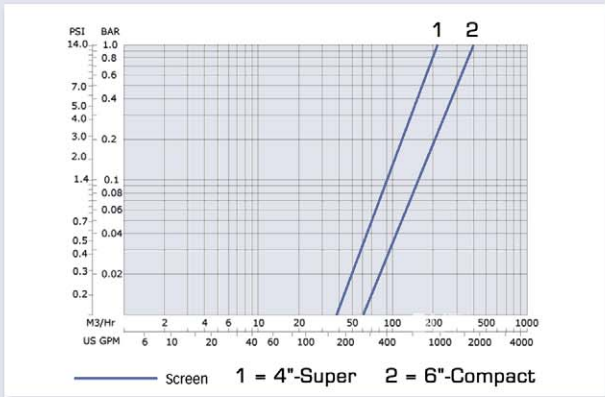
## 6"-Super Modular/8" Modular



## Dimensions and weight

Filter type	Filter size	Weight [kg]	Dimensions [mm]						
			A	B	C	D	E	F	G
4"-S In-Line	100 mm	38	800	594	-	800	350	230	580
6" In-Line	150 mm	43	750	576	762	750	350	100	470
6"-S In-Line	150mm	56	750	860	1130	750	550	250	1000
6"-S Modular	150mm	60	620	410	1450	2400	-	-	-
8" In-Line	200mm	65	750	880	1180	750	550	250	800
8" Modular	200mm	76	620	475	1605	2500	-	-	-

## Pressure loss graphs



## 4" Super In-Line/6" In-Line



## 6" Super In-Line/8" In-Line



## 6" Super Modular/8" Modular

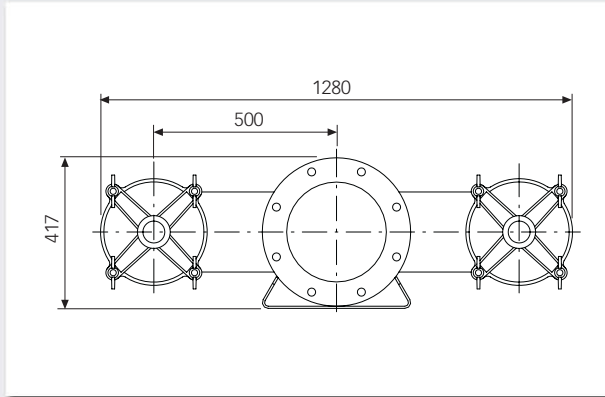


## Technical specifications

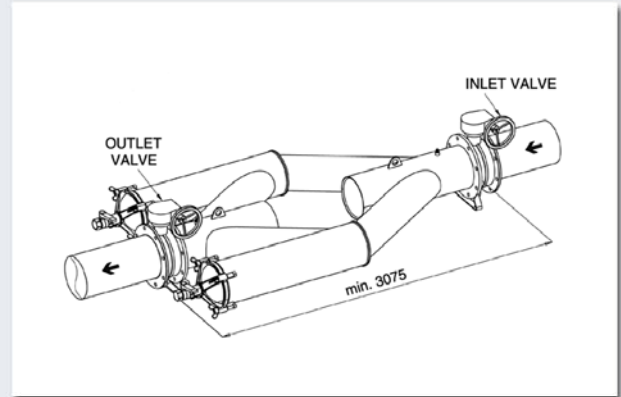
Filter type	Inlet/Outlet diameter [mm; inch]	Maximum flow rate [m <sup>3</sup> /h]	Maximum working pressure	Maximum working temp.	Filter area [cm <sup>2</sup> ]	Construction materials
4"-S	100 mm; 4"	80	10 bar	60°C	2740	Housing : Phosphate pre-treated steel 37-2 with polyester coating Lid: SMC polyester
6"	150 mm; 6"	160	10 bar	60°C	2740	Seals: Nitril rubber
6"-S	150 mm; 6"	160	10 bar	60°C	5720	Perforated Cylinder: St.St. 316 Seals: Nitril rubber
8"	200 mm; 8"	300	10 bar	60°C	5720	Weave Wire screen: St.St. 316 Seals: Nitril rubber

# 10" - 14" STEEL FILTERS FOR FLOW RATES UP TO 1000 m<sup>3</sup>/h

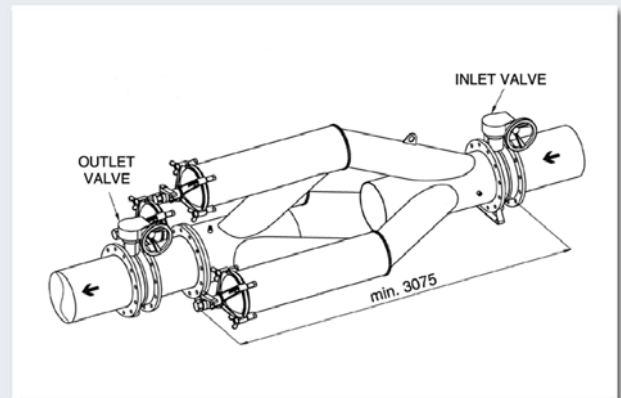
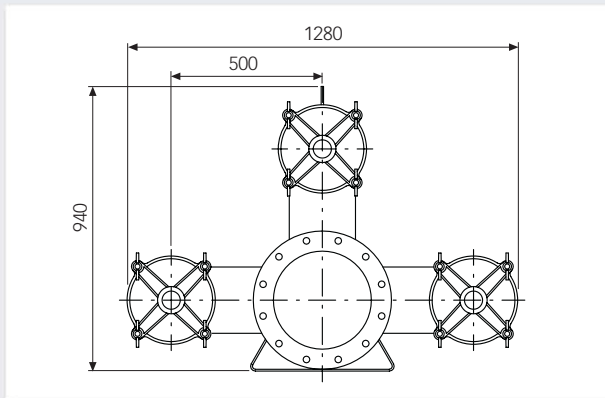
## 10" In-Line



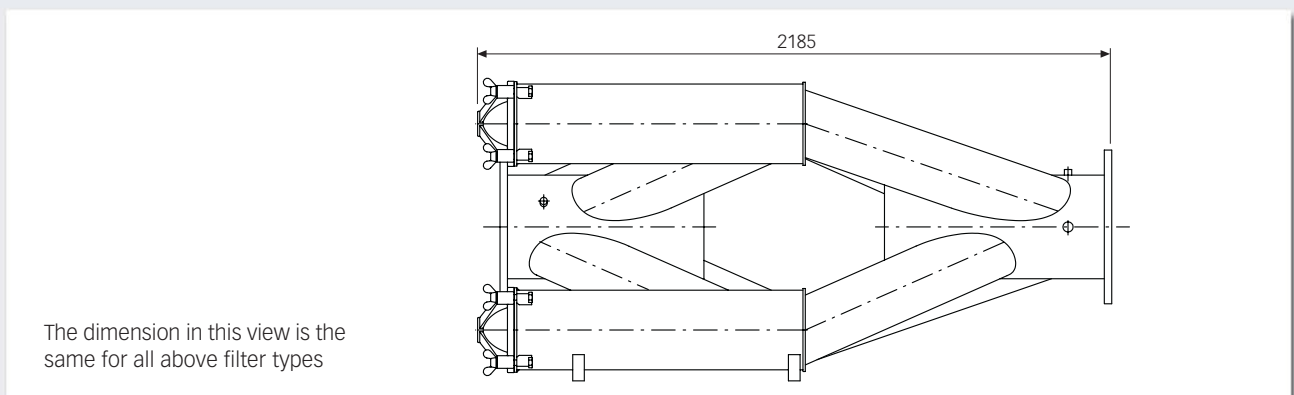
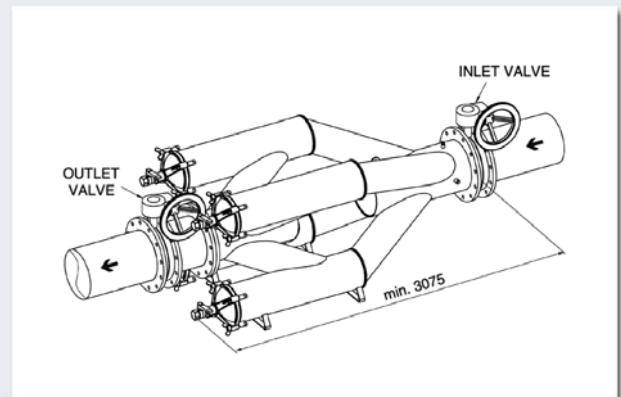
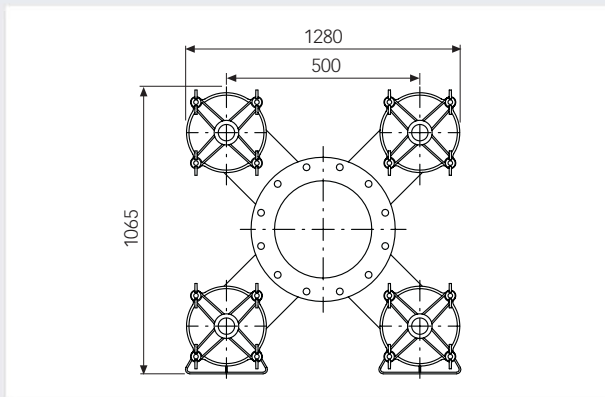
## Suggested installations



## 12" In-Line



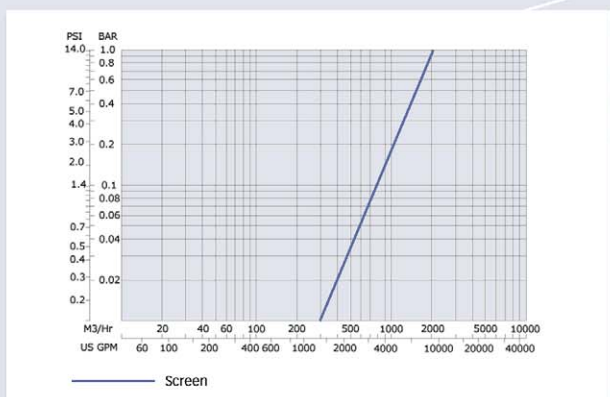
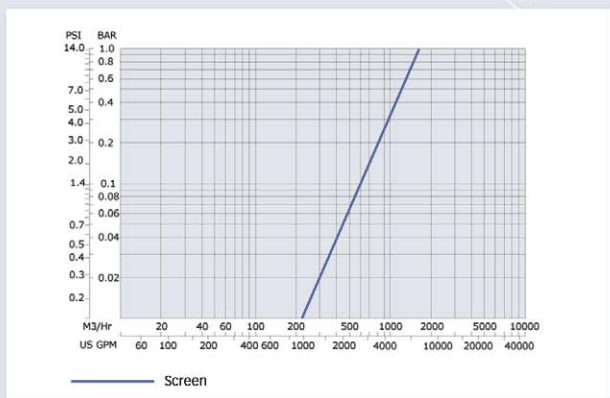
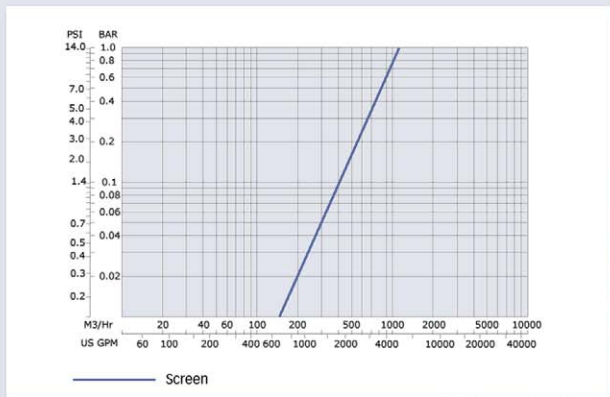
## 14" In-Line



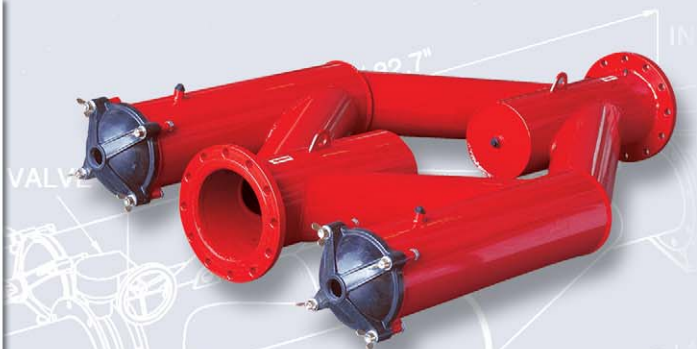
The dimension in this view is the same for all above filter types



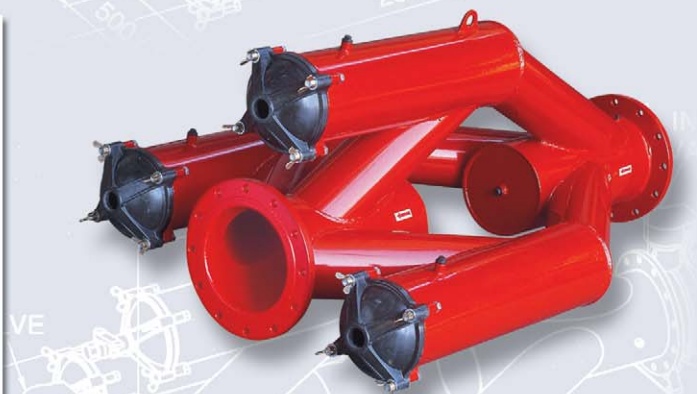
## Pressure loss graphs



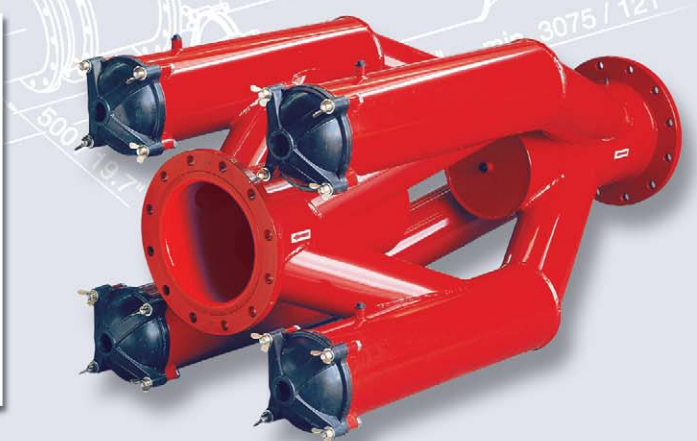
10" In-Line



12" In-Line



14" In-Line



## Technical specifications

Filter type	Inlet/Outlet diameter [mm; inch]	Maximum flow rate [m <sup>3</sup> /h]	Maximum working pressure	Maximum working temp.	Filter area [cm <sup>2</sup> ]	Construction materials
10"	250 mm; 10"	500	10 bar	60°C	11,440	Housing : Phosphate pre-treated steel 37-2 with polyester coating Lid: SMC polyester Seals: Nitril rubber
12"	300 mm; 12"	650	10 bar	60°C	17,260	Perforated Cylinder: St.St. 316 Seals: Nitril rubber
14"	350 mm; 14"	1000	10 bar	60°C	22,880	Weave Wire screen: St.St. 316 Seals: Nitril rubber



In an increasingly crowded world, the need for clean water concerns everyone involved in sustaining our quality of life. Society and economy cannot exist without water; Because water is life.

For more than 40 years, Amiad has helped meet this need by developing a comprehensive line of exceptionally efficient, automatic self-cleaning filters and manual filters for use in industry, municipalities, and irrigation. Amiad provides solutions in more than 66 countries, with seven subsidiaries and sales offices. Amiad's pledge to the filtration industry is to continue providing innovative and dependable systems, quality service and reliable customer support.

▶ **MANUFACTURER & HEAD OFFICE:**  
**Amiad Filtration Systems (1997) Ltd.**

D. N. Galil Elyon 1, 12335, Israel, Tel: 972 4 690 9500, Fax: 972 4 690 9391, E-mail: info@amiad.com

▶ **AUSTRALIA:**

Amiad Australia Pty Ltd., 3/15 Brisbane St. Eltham, 3095, Victoria  
Tel: 61 39 439 3533, Fax: 61 39 439 1612, E-mail: amiad@amiad.com.au

▶ **CHINA:**

Taixing Environtec Co. Ltd., 70 Baihe Chang, Xingjie Yixing Jiangsu, 214204  
Tel: 86 0510 7134000, Fax: 86 0510 7134999, E-mail: taixing@public1.wx.js.cn

▶ **FAR-EAST:**

Filtration & Control Systems Pte. Ltd., 111 North Bridge Road #07-07, Peninsula Plaza, 179098, SINGAPORE  
Tel: 65 6 337 6698, Fax: 65 6 337 8180, E-mail: fcs1071@pacific.net.sg

▶ **FRANCE:**

Amiad France S.A.R.L., 31 Boulevard Lefebvre, Paris, 75015  
Tel: 33 1 56085522, Fax: 33 1 45302596, E-mail: info@amiadfrance.com

▶ **GERMANY:**

Amiad Filtration Solutions Ltd., Zweigniederlassung Deutschland, Gerstäckerstr. 9, D-20459  
Tel: 49 40 3609 6770, Fax: 49 40 3609 6765, E-mail: info@amiad.de

▶ **NORTH AMERICA:**

Amiad Filtration Systems, 2220 Celsius Avenue Unit B., Oxnard, 93030, California, USA  
Tel: 1 805 988 3323, Fax: 1 805 988 3313, E-mail: info@amiadusa.com

▶ **SOUTH AMERICA:**

Sucursal Sudamerica, Agustín de Urubey 1379, Montevideo, 11300, URUGUAY  
Tel: 598 2 628 0927, Fax: 598 2 622 6991, E-mail: amisur@adinet.com.uy

[www.amiad.com](http://www.amiad.com)

AMIAD products undergo constant monitoring for quality control. The manufacturer reserves the right to incorporate changes and improvements in the products without prior notice.



**AMIAD FILTRATION SYSTEMS**