

Single-jet type water meter super dry register

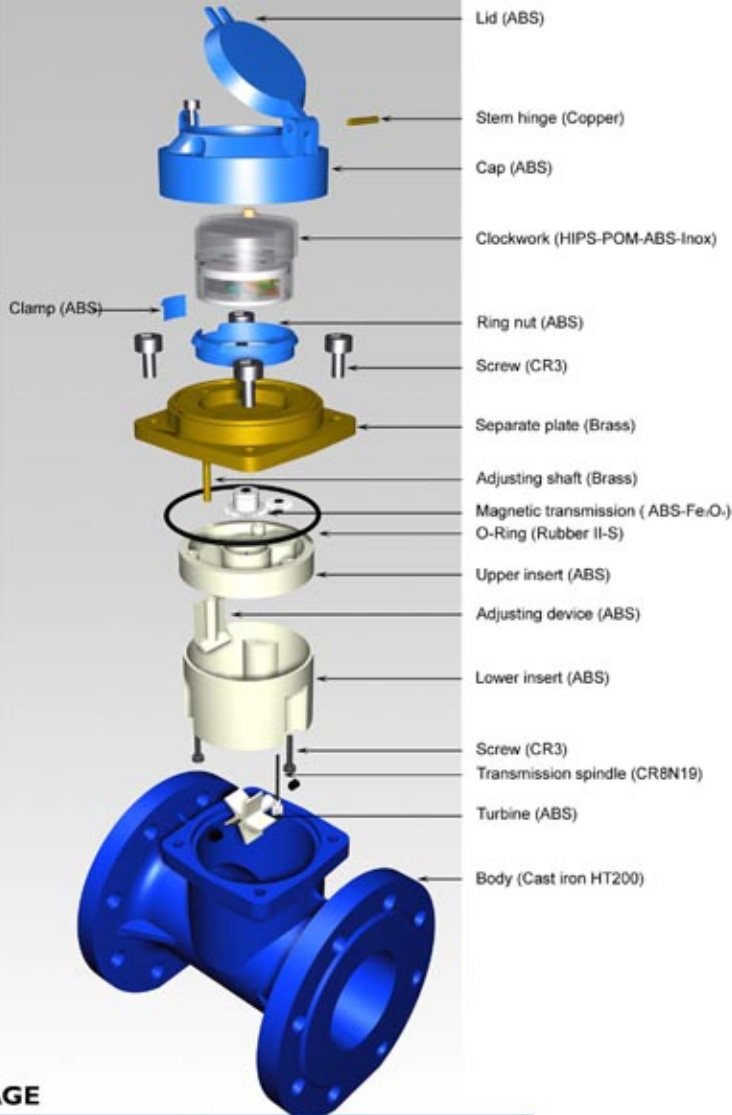
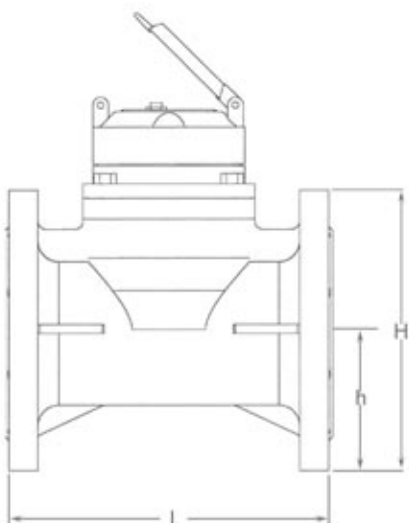
Meter model Delta-Sj-Sdc can work in presence of high flow-rates causing negligible head-loss.

The dial plate and the straight reading type totalizer are located in a sealed, dry under vacuum. A version with pulse emitting device is available on request. The magnetic type movement transmission is protected against external magnetic fields by a suitable iron screen. The easy maintenance is assured by the interchangeable mechanism construction.

It can be installed on horizontal, vertical or inclined pipes.

A version for hot water up to 60° C is available on request.

The hydraulic performance conforms to Class A of the ECC standards.



SIZE AND USAGE

Gauge	mm	50	65	80	100	125	150	200	250	300
	inches	2"	2.1/2"	3"	4"	5"	6"	8"	10"	12"
Max qty	m ³ /h	70	100	150	250	350	500	900	1200	1600
n qty	m ³ /h	35	50	75	125	175	250	450	600	800
t qty	m ³ /h	10,5	15	22,5	37,5	52,5	75	135	180	240
Min qty	m ³ /h	2,8	4	6	10	14	20	36	48	64
SP	bar	16	16	16	16	16	16	16	16	16
Pressure drop (at max qty)	bar	<1	<1	<1	<1	<1	<1	<1	<1	<1
Minimum reading	lt	5	5	5	5	5	5	5	5	5
Maximum reading	m ³	10 ⁷	10 ⁷	10 ⁷	10 ⁷	10 ⁷	10 ⁷	10 ⁷	10 ⁷	10 ⁷
Weight	kg	11,7	12,2	14,3	17,6	18	26,8	38,8	56,3	81,7
L	mm	200	200	225	250	250	300	360	450	510
H	mm	160	175	196	215	245	280	330	395	450
h	mm	76	82	96	105	120	138	160	192	220

