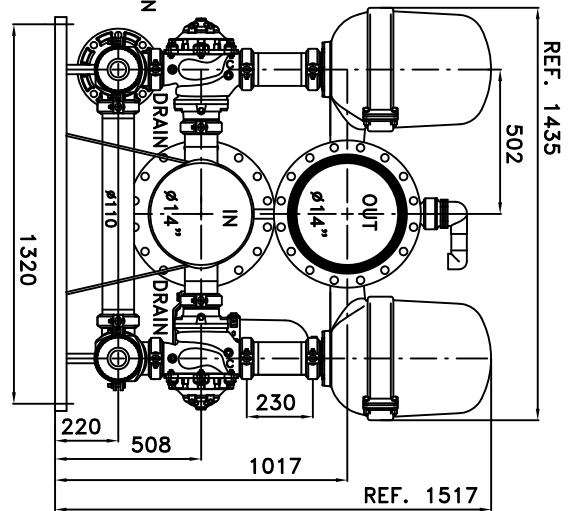
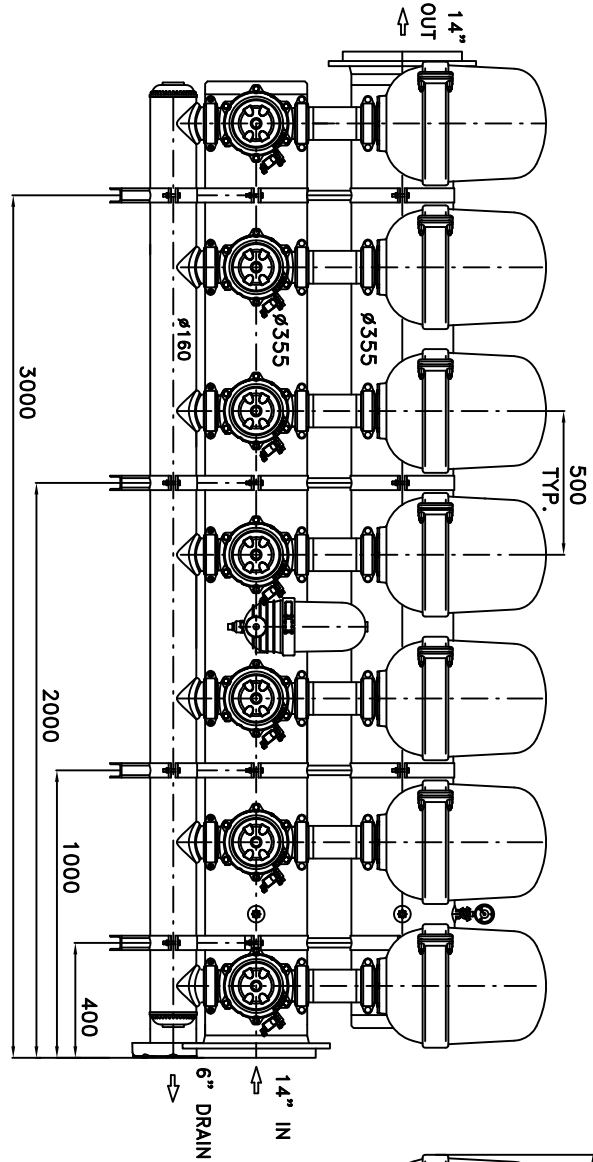



3500 (IN-OUT)



		THIS DRAWING CANCEL DRAWING FROM 23.04.08				
MODIFIC.	DATE	DESCRIPTION			SIGN.	
 <b>ARKAL</b> FILTRATION SYSTEM BET-ZERA 15135 TEL. 972-4-6775140 FAX. 972-4-6775461 ISRAEL		PROJECT 14*4" S.K. "GALAXY" FILTERS SYNTHETIC BATTERY			PAGE <u>1</u> OF <u>6</u>	
		TITLE ASSEMBLY DRAWING			CATALOGUE No: 4660E1414_30008	
		PATH BATERIES\4INCH\GALAXY DOROT\PLASTIC\NEW VALVE	FILE CODE 4660E1414_30008	NAME IRINA	DATE 12.05.08	SIGNATURE FRNA
			NAME PABLO	DATE 12.05.08	FILE CODE DRAWING OF MANIFOLD: 6660 1414_20008(1-3),6121 0393,	BACKUP: DISK-33
	CHECKED	DATE 12.05.08	5999 174230	DRAWER N: 6018		
	APPROVED	DATE 12.05.08	PALET-283 (5201 5786)			