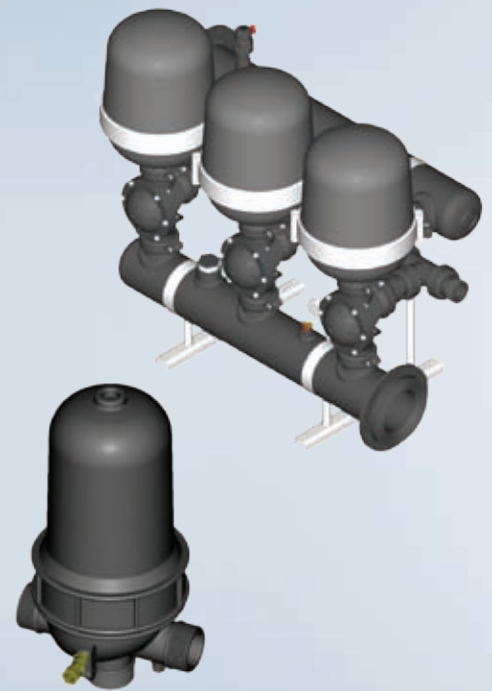


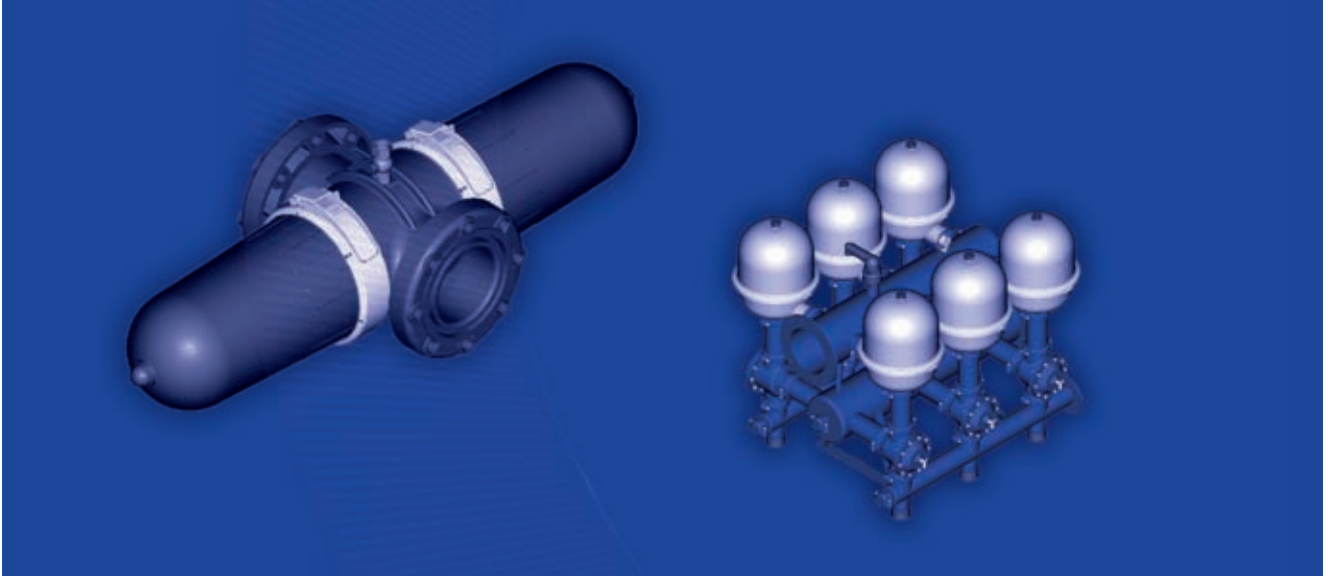
Arkal Filters Catalogue



Content

Disc Filters - Technology	3
a. Automatic Filters	
Compact	5
2" Compact All plastic	9
Opal	11
2" Poly Battery	17
Crystal	19
3" Poly Battery	23
Galaxy	25
Galaxy Polymer	29
b. Manual Filters	
3/4" filter	31
3/4" filtap	33
1" short	35
1" super	37
1 1/2" short	39
1 1/2" super	41
2" dual	43
2" super	45
2" leader	47
3" twin	49
3" leader	51
3" super angle	53
4" super angle	55
4" super leader	57
6" super leader	59
Screen Filters- Technology	61
B	63
BE	67
H	69
E	71
SE	73
SA	75
SB	77
EB	79
Hydro Cyclone- Technology	81
2" Sand Separator	83
Sand Separator Batteries	85
Media Filters- Technology	87
AGF	89
AGF Battery	91

Disc Filtration Technology



- Micron-precise filtration of solids.
- The innovative depth filter design captures and retains large amounts of solids.
- Long-term operation.
- Minimal maintenance required.
- Disc filtration elements are factory assembled and ready for use.

Disc Filtration Technology

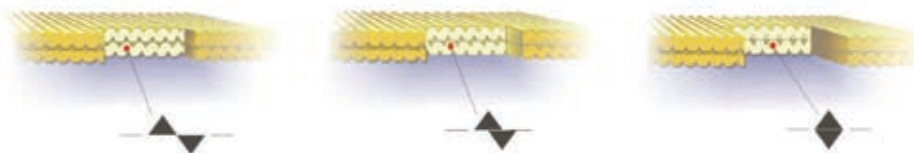
Arkal's filtration systems use a specially designed disc filtration technology.

Color-coded Polypropylene or Nylon discs are grooved on both sides to a specific micron size. A series of these discs are then stacked and compressed on a specially designed spine. When stacked, the groove on top runs opposite to the groove below, creating a filtration element with a statistically significant series of intersecting grooves which trap the solids. The stack is enclosed in a corrosion and pressure resistant housing.

During filtration, the discs are tightly compressed together by a combination of the spring's power and the differential pressure, thus providing high filtration efficiency. Filtration occurs while water is percolating from the outer diameter to the inner diameter of the element. Depending on the micron rating (See table), there are from 18 (in 400 micron discs) to 32 (in 20 micron discs) stopping points in each track, thus creating the unique in-depth filtration (Figure below).

Table of Filtration Grades of the Discs and Color Code

Color Code	Blue	Yellow	Red	Black	Brown	Green	Purple	Gray
Micron	400	200	130	100	70	55	40	20
Mesh	40	80	120	140				
PP								
Nylon								

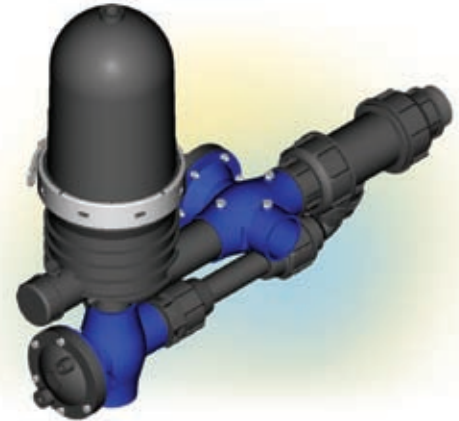


Compact Filtration Unit

Features

- Precise filtration with Spin Klin technology
- Automatic filtration for low flow rates
- Plastic parts - corrosion free
- Highly durable filter element
- Easy installation and operation
- Lightweight, compact design
- Simple and reliable operation

Automatic Filters



Technical Data

	METRIC		US	
Max. pressure	bar	10	psi	145
Min. filtration pressure	bar	2.8	psi	40.6
Filtration surface area	cm ²	880	in ²	136.4
Filtration volume	cm ³	1320	in ³	80.5
Backwash water volume	lit	33	gal	8.7
Min. Backwash flow rate	m ³ /h	10	gpm	44

Maximum Filtration Flow Rate / Water Quality

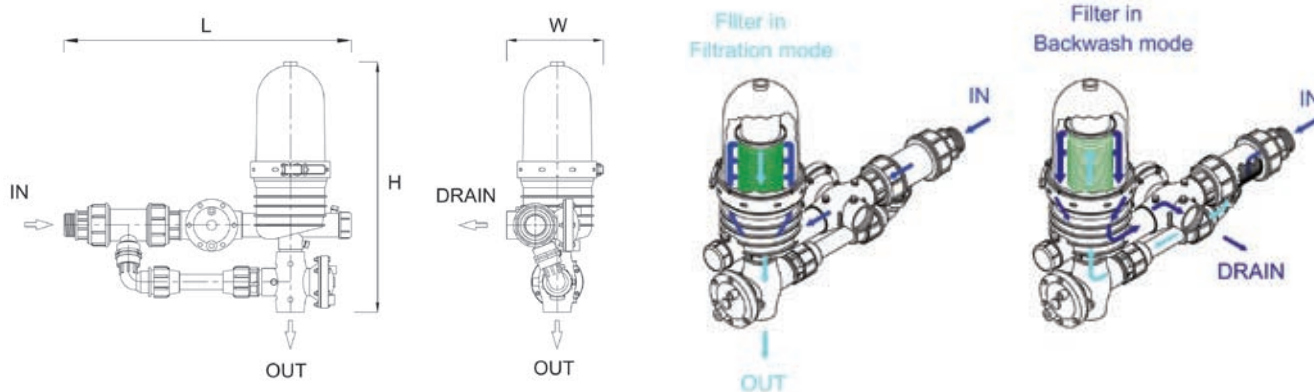
Filtration Grade	Water Quality	m ³ /h	gpm
400-100 μ	Good	20	88
	Average	15	66
	Poor	10	44
	Very Poor	8*	35*
70-55 μ	Good	10	44
	Average	8*	35*
	Poor	6*	26*
	Very Poor	4*	18*
40-20 μ	Good	5*	22*
	Average	4*	18*
	Poor	3*	13*
	Very Poor	2*	9*

* External source or Air aided backwash is necessary

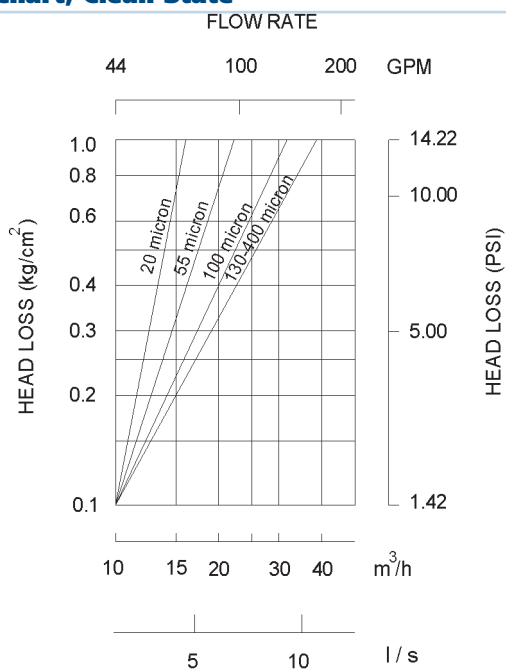
Compact Filtration Unit

Dimensions and Weights

D Inlet\Outlet diameter	mm	50	inch	2
L Length	mm	694	inch	27.3
H Height	mm	628	inch	24.7
W Width	mm	243	inch	9.6
Shipping weight (approx.)	kg	28.6	lbs	63



Head Loss Chart, Clean State



COMPACT filtration units
are available with:
Brass or polymer valves.

Compact

Filtration Unit - Air Aided Flushing

Features

- Precise filtration with Spin Klin technology
- Automatic filtration for low flow rates
- Plastic parts - corrosion free
- Highly durable filter element
- Easy installation and operation
- Lightweight, compact design
- Simple and reliable operation
- Low pressure operation
- Minimum backwash water volume

Automatic Filters



Technical Data

	METRIC		US	
Max. pressure	bar	10	psi	145
Min. filtration pressure	bar	0.8	psi	11.6
Filtration surface area	cm ²	880	in ²	136.4
Filtration volume	cm ³	1320	in ³	80.5
Backwash water volume	lit	12	gal	3.2

Maximum Filtration Flow Rate / Water Quality

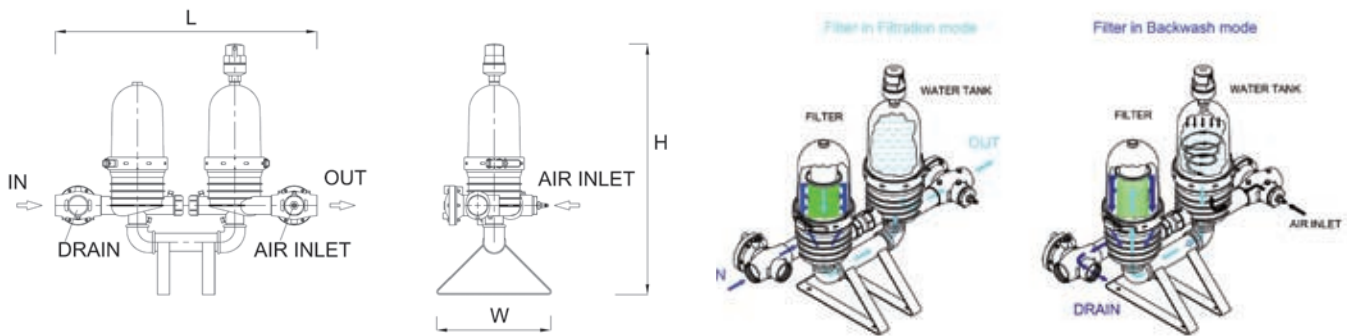
Filtration Grade	Water Quality	m ³ /h	gpm
400-100 μ	Good	20	88
	Average	15	66
	Poor	10	44
	Very Poor	8	35
70-55 μ	Good	10	44
	Average	8	35
	Poor	6	26
	Very Poor	4	18
40-20 μ	Good	5*	22
	Average	4	18
	Poor	3	13
	Very Poor	2	9

Compact

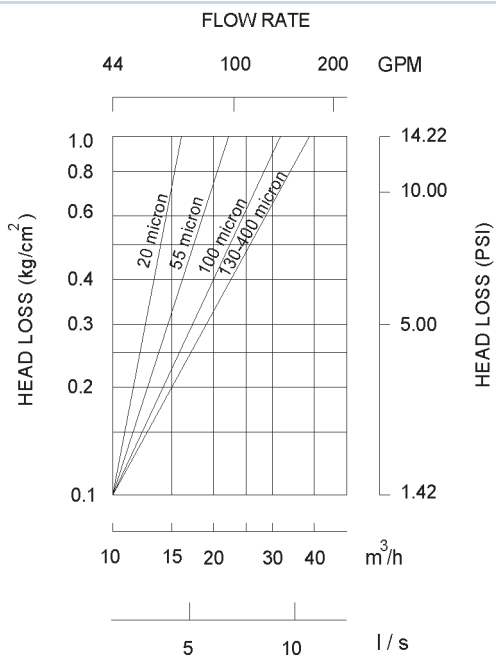
Filtration Unit - Air Aided Flushing

Dimensions and Weights

D Inlet\Outlet diameter	mm	50	inch	2
L Length	mm	820	inch	32
H Height	mm	830	inch	33
W Width	mm	490	inch	19
Shipping weight (approx.)	kg	33.5	lbs	73.7



Head Loss Chart, Clean State



COMPACT filtration units are available with:
 Polyester coated steel,
 Stainless steel manifolds
 or all plastic.

2" Compact All Plastic Filtration Unit

Features

- Precise filtration with Spin Klin technology
- Automatic filtration for low flow rates
- Plastic parts - corrosion free
- Highly durable filter element
- Easy installation and operation
- Lightweight, compact design
- Simple and reliable operation

Automatic Filters



Technical Data

	METRIC		US	
Max. pressure	bar	10	psi	145
Min. filtration pressure	bar	2.8	psi	40.6
Filtration surface area	cm ²	880	in ²	136.4
Filtration volume	cm ³	1,320	in ³	80.5
Backwash water volume	lit	33	gal	8.7
Min. Backwash flow rate	m ³ /h	10	gpm	44

Maximum Filtration Flow Rate / Water Quality

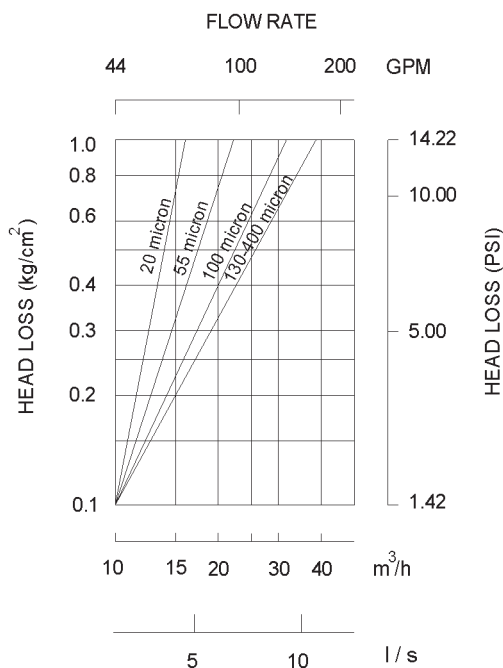
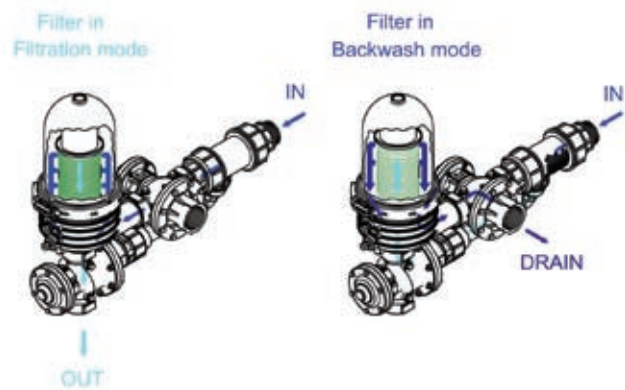
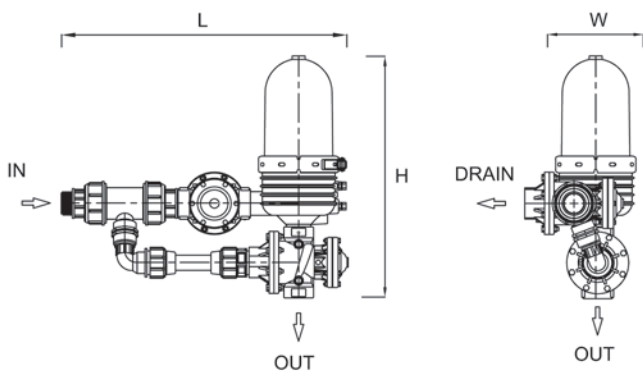
Filtration Grade	Water Quality	m ³ /h	gpm
400-100 μ	Good	20	88
	Average	15	66
	Poor	10	44
	Very Poor	8 *	35*
70-55 μ	Good	10	44
	Average	8*	35*
	Poor	6*	26*
	Very Poor	4*	18*
40-20 μ	Good	5*	22*
	Average	4*	18*
	Poor	3*	13*
	Very Poor	2*	9*

* External source or Air aided backwash is necessary

2" Compact All Plastic Filtration Unit

Dimensions and Weights

D Inlet\Outlet diameter	mm	50	inch	2
L Length	mm	751	inch	29 ⁵ / ₈
H Height	mm	655	inch	25 ⁷ / ₈
W Width	mm	243	inch	9 ⁵ / ₈
Shipping weight (approx.)	kg	28.6	lbs	63



All Plastic 2" Compact filtration units are available with:
Non Corrosive material valves

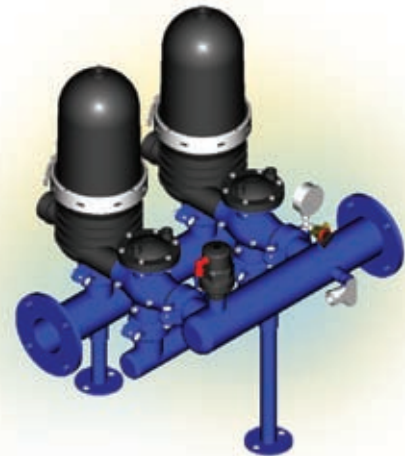
Opal

Filtration Batteries

Features

- Precise filtration with Spin Klin technology
- Automatic filtration for low flow rates
- Plastic parts - corrosion free
- Highly durable filter element
- Easy installation and operation
- Lightweight, compact design
- Simple and reliable operation

Automatic Filters



Technical Data

		METRIC		US	
Max. pressure	bar	10	psi	145	
Min. filtration pressure	bar	2.8	psi	40.6	
Filtration surface area	cm ²	880	in ²	136.4	
Filtration volume per unit	cm ³	1320	in ³	80.5	
Backwash water volume per unit	lit	33	gal	8.7	

Maximum Filtration Flow Rate / Water Quality

No. of units		2	3	4	5	6	2	3	4	5	6
Filtration Grade	Water Quality	m ³ /h					gpm				
400-130 μ	Good	50**	75	100	125	150	220**	330	440	550	660
	Average	38**	57	76	95	115	167**	250	334	418	506
	Poor	27**	41	54	67	84	119**	180	238	294	370
	Very Poor	16**	25	33	41	49	70**	110	145	180	215
100 μ	Good	40**	60	80	100	120	176**	264	352	440	528
	Average	30**	45	60	75	90	132**	192	264	330	396
	Poor	20**	30	40	50	60	88**	132	176	220	264
	Very Poor	13**	20	26	33	40	57**	88	114	145	176
55 μ	Good	28**	42	56	70	84	123**	184	246	308	364
	Average	22**	33	44	55	66	97**	145	193	242	290
	Poor	15**	23	30	38	45	66**	101	132	167	198
	Very Poor	9*	14*	18*	24	33	39*	61*	79*	105	145
20 μ	Good	14*	21	28	35	42	61*	92	123	154	184
	Average	10*	16**	21	26	32	44*	70**	92	114	140
	Poor	7*	11**	14**	18**	21	30*	48**	61**	79**	92
	Very Poor	5*	7*	9*	11**	13**	22*	30*	39*	48**	57**

* External source for backwash is necessary

** When pressure is low, it is necessary to close downstream valve during backwash

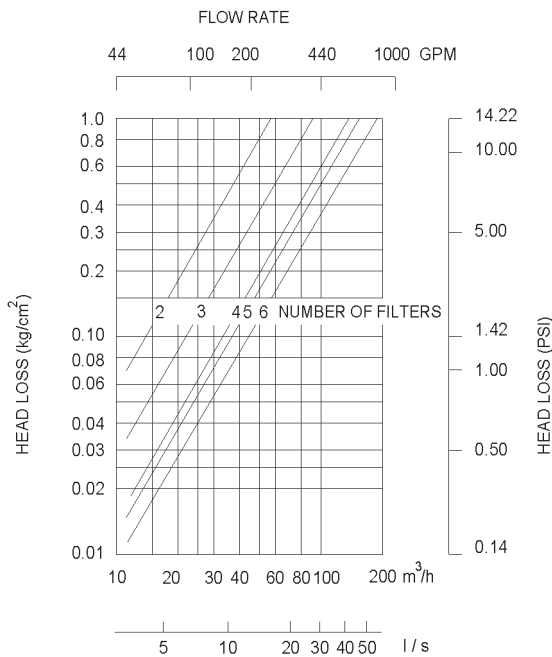
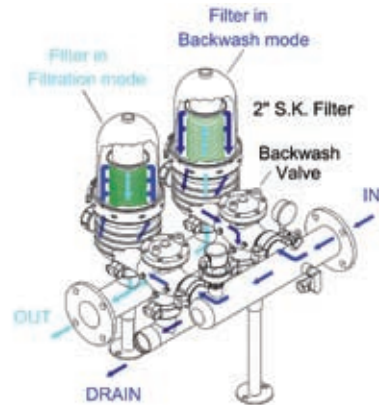
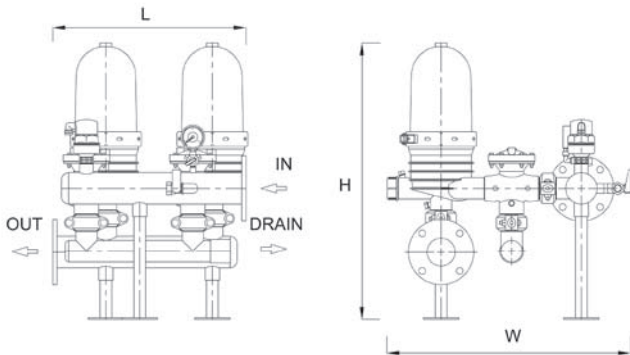
Opal

Filtration Batteries

Dimensions and Weights

No. of units		2	3	4	5	6		2	3	4	5	6
D Inlet\Outlet diameter	mm	90	90	110	110	160	inch	3	3	4	4	6
L Length	mm	545	800	1145	1445	1745	inch	21	32	45	57	69
H Height	mm	788	788	817	817	844	inch	31	31	32	32	33
W Width	mm	643	643	674	674	731	inch	25	25	27	27	29
Shipping weight (approx.)	kg	80	100	120	140	160	lbs	176	220	264	308	352

NOTE: Above dimensions are for standard models only: Polyester coated steel flanged inlet\outlet and drainage manifolds.



OPAL filtration batteries are available with:
 Polyester coated steel,
 Stainless steel or
 Polypropelene manifolds.

Opal

Filtration Batteries - External Source Flushing

Features

- Precise filtration with Spin Klin technology
- Automatic filtration for low flow rates
- Plastic parts - corrosion free
- Highly durable filter element
- Easy installation and operation
- Lightweight, compact design
- Simple and reliable operation
- Low-pressure operation

Automatic Filters



Technical Data

	METRIC			US	
	bar		psi		
Max. pressure		10		145	
Min. filtration pressure		0.8		10	
Min. backwash pressure		2.8		40.6	
Filtration surface area	cm ²	880	in ²	136.4	
Filtration volume per unit	cm ³	1320	in ³	80.5	
Backwash water volume per unit	lit	33	gal	8.7	

Maximum Filtration Flow Rate / Water Quality

No. of units		2	3	4	5	6	2	3	4	5	6
Filtration Grade	Water Quality	m ³ /h					gpm				
400-130 μ	Good	50	75	100	125	150	220	330	440	550	660
	Average	38	57	76	95	115	167	250	334	418	506
	Poor	27	41	54	67	84	119	180	238	294	370
	Very Poor	16	25	33	41	49	70	110	145	180	215
100 μ	Good	40	60	80	100	120	176	264	352	440	528
	Average	30	45	60	75	90	132	192	264	330	396
	Poor	20	30	40	50	60	88	132	176	220	264
	Very Poor	13	20	26	33	40	57	88	114	145	176
55 μ	Good	28	42	56	70	84	123	184	246	308	364
	Average	22	33	44	55	66	97	145	193	242	290
	Poor	15	23	30	38	45	66	101	132	167	198
	Very Poor	9	14	18	24	33	39	61	79	105	145
20 μ	Good	14	21	28	35	42	61	92	123	154	184
	Average	10	16	21	26	32	44	70	92	114	140
	Poor	7	11	14	18	21	30	48	61	79	92
	Very Poor	5	7	9	11	13	22	30	39	48	57

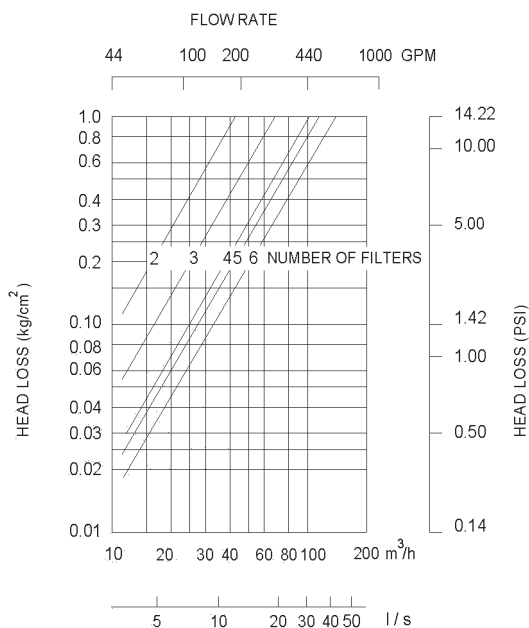
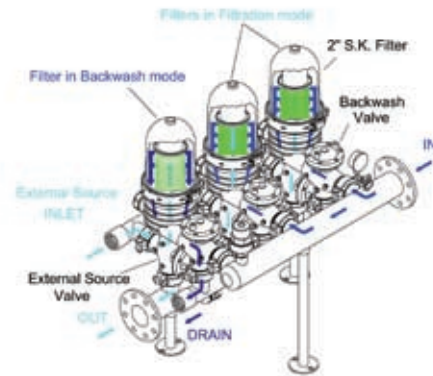
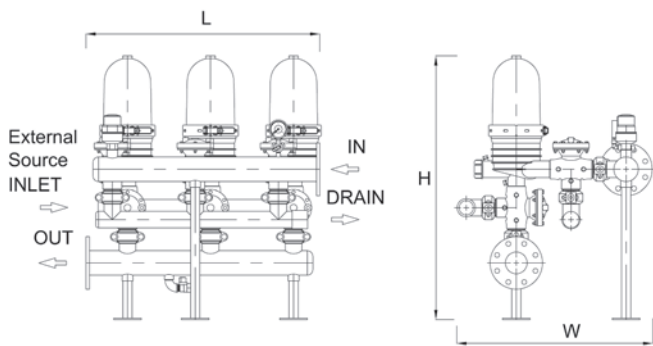
Opal

Filtration Batteries - External Source Flushing

Dimensions and Weights

No. of units		2	3	4	5	6		2	3	4	5	6
D Inlet\Outlet diameter	mm	90	90	110	110	160	inch	3	3	4	4	6
L Length	mm	545	800	1145	1445	1745	inch	21	32	45	57	69
H Height	mm	953	953	982	982	1009	inch	38	38	39	39	40
W Width	mm	643	643	674	674	731	inch	25	25	27	27	29
Shipping weight (approx.)	kg	92	116	154	186	232	lbs	203	256	340	410	511

NOTE: Above dimensions are for standard models only: Polyester coated steel flanged inlet\outlet and drainage manifolds.



OPAL filtration batteries are available with:
 Polyester coated steel,
 Stainless steel or
 Polypropylene manifolds.

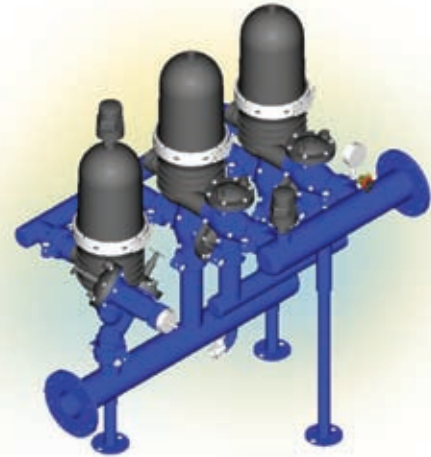
Opal

Filtration Batteries - Air Aided Flushing

Features

- Precise filtration with Spin Klin technology
- Automatic filtration for low flow rates
- Plastic parts - corrosion free
- Highly durable filter element
- Easy installation and operation
- Lightweight, compact design
- Simple and reliable operation
- Low pressure operation
- Minimum backwash water volume

Automatic Filters



Technical Data

	METRIC			US	
Max. pressure	bar	10	psi	145	
Min. backwash pressure	bar	0.8	psi	10	
Filtration surface area per unit	cm ²	880	in ²	136.4	
Filtration volume per unit	cm ³	1320	in ³	80.5	
Backwash water volume per unit	lit	12	gal	3.2	

Maximum Filtration Flow Rate / Water Quality

No. of units		2	3	4	5	6	2	3	4	5	6
Filtration Grade	Water Quality	m ³ /h					gpm				
400-130 μ	Good	50	75	100	125	150	220	330	440	550	660
	Average	38	57	76	95	115	167	250	334	418	506
	Poor	27	41	54	67	84	119	180	238	294	370
	Very Poor	16	25	33	41	49	70	110	145	180	215
100 μ	Good	40	60	80	100	120	176	264	352	440	528
	Average	30	45	60	75	90	132	192	264	330	396
	Poor	20	30	40	50	60	88	132	176	220	264
	Very Poor	13	20	26	33	40	57	88	114	145	176
55 μ	Good	28	42	56	70	84	123	184	246	308	364
	Average	22	33	44	55	66	97	145	193	242	290
	Poor	15	23	30	38	45	66	101	132	167	198
	Very Poor	9	14	18	24	33	39	61	79	105	145
20 μ	Good	14	21	28	35	42	61	92	123	154	184
	Average	10	16	21	26	32	44	70	92	114	140
	Poor	7	11	14	18	21	30	48	61	79	92
	Very Poor	5	7	9	11	13	22	30	39	48	57

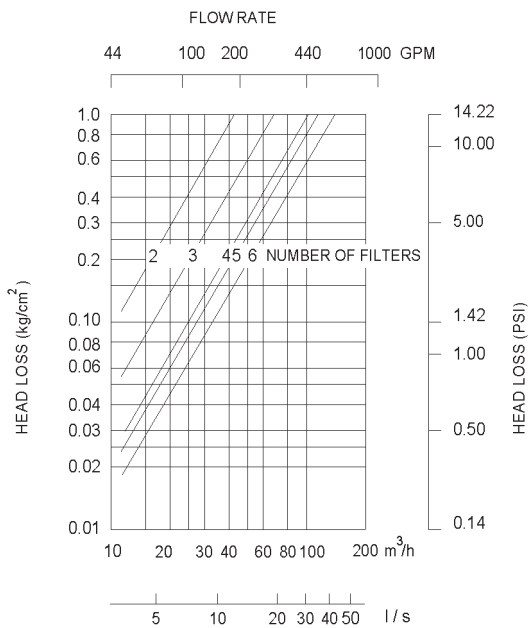
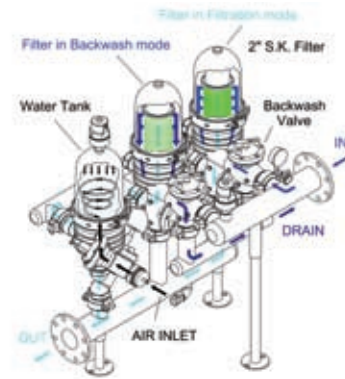
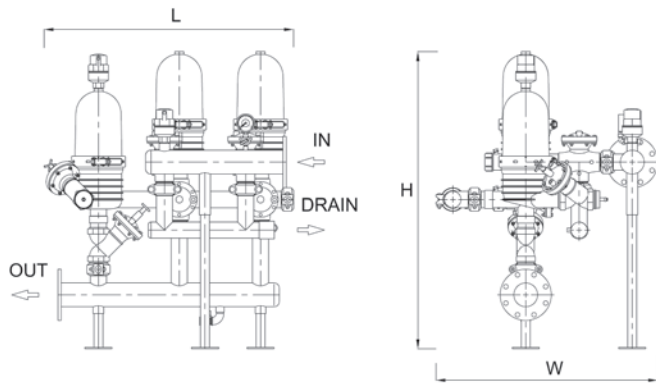
Opal

Filtration Batteries - Air Aided Flushing

Dimensions and Weights

No. of units		2	3	4	5	6		2	3	4	5	6
D Inlet\Outlet diameter	mm	90	90	110	110	160	inch	3	3	4	4	6
L Length	mm	997	1297	1597	1897	2155	inch	39	51	63	75	85
H Height	mm	1100	1100	1129	1129	1156	inch	43	43	44	44	46
W Width	mm	805	805	823	823	864	inch	32	32	32	32	34
Shipping weight (approx.)	kg	105	118	138	158	186	lbs	231	260	303	347	409

NOTE: Above dimensions are for standard models only: Polyester coated steel flanged inlet\outlet and drainage manifolds.



OPAL filtration batteries are available with:
 Polyester coated steel,
 Stainless steel or
 Polypropelene manifolds.

2" Poly Battery

Filtration Batteries

Features

- Precise filtration with Spin Klin technology
- Automatic filtration for low flow rates
- Plastic parts - corrosion free
- Highly durable filter element
- Easy installation and operation
- Lightweight, compact design
- Simple and reliable operation

Automatic Filters



Technical Data

	METRIC			US	
	bar			psi	
Max. pressure	bar	10		psi	145
Min. filtration pressure	bar	2.8		psi	40.6
Filtration surface area	cm ²	880		in ²	136.4
Filtration volume	cm ³	1,320		in ³	80.5
Backwash water volume	lit	33		gal	8.7

Maximum Filtration Flow Rate / Water Quality

No. of units		2	3	4	5	6	2	3	4	5	6
Filtration Grade	Water Quality	m ³ /h					gpm				
400-130 μ	Good	50**	75	100	125	150	220**	330	440	550	660
	Average	38**	57	76	95	115	167**	250	334	418	506
	Poor	27**	41	54	67	84	119**	180	238	294	370
	Very Poor	16**	25	33	41	49	70**	110	145	180	215
100-70 μ	Good	40**	60	80	100	120	176**	264	352	440	528
	Average	30**	45	60	75	90	132**	192	264	330	396
	Poor	20**	30	40	50	60	88**	132	176	220	264
	Very Poor	13**	20	26	33	40	57**	88	114	145	176
55-40 μ	Good	28**	42	56	70	84	123**	184	246	308	364
	Average	22**	33	44	55	66	97**	145	193	242	290
	Poor	15**	23	30	38	45	66**	101	132	167	198
	Very Poor	9*	14*	18*	24	33	39*	61*	79*	105	145
20 μ	Good	14*	21	28	35	42	61*	92	123	154	184
	Average	10*	16**	21	26	32	44*	70**	92	114	140
	Poor	7*	11**	14**	18**	21	30*	48**	61**	79**	92
	Very Poor	5*	7*	9*	11**	13**	22*	30*	39*	48**	57**

* External source for backwash is necessary

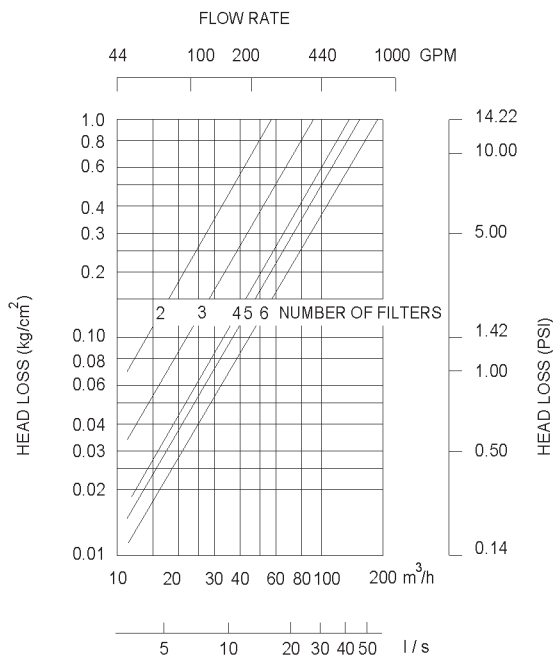
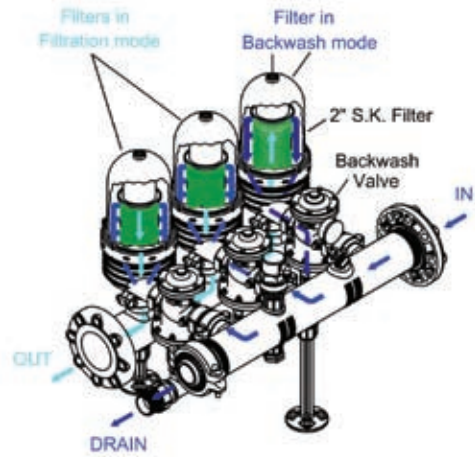
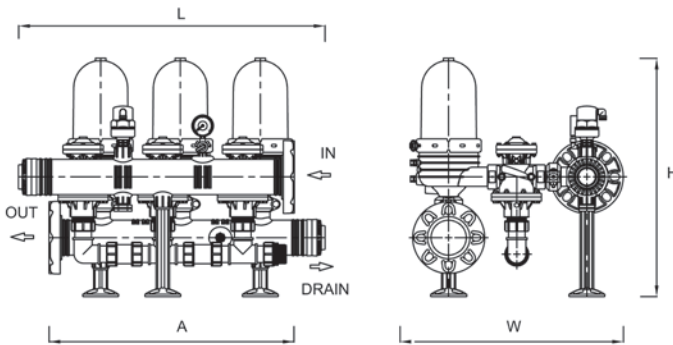
** When pressure is low, it is necessary to close downstream valve during backwash

2" Poly Battery

Filtration Batteries

Dimensions and Weights

		2	3	4	5	6		2	3	4	5	6
D Inlet\Outlet diameter	mm	110	110	110	110	160	inch	4	4	4	4	6
L Length	mm	710	960	1210	1460	1915	inch	28	37 1/4	47 5/8	57 1/2	75 1/2
H Height	mm	750	750	750	750	835	inch	29 5/8	29 5/8	29 5/8	29 5/8	32 7/8
W Width	mm	670	670	670	670	752	inch	26 3/8	26 3/8	26 3/8	26 3/8	29 5/8
A Flange to flange distance	mm	515	765	1015	1265	1915	inch	20 5/8	30 1/8	40	49 7/8	75 1/2
Shipping weight (approx.)	kg	30	50	70	90	140	lbs	66	110	154	198	308



2" Poly batteries are available with:
Non Corrosive material valves

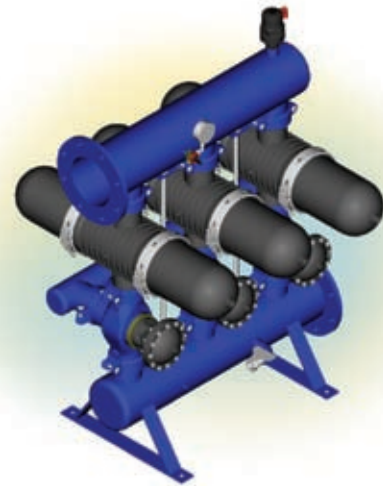
Crystal

Filtration Batteries

Features

- Precise filtration with Spin Klin technology
- Automatic filtration for medium flow rates
- Continuous flow during backwash
- Plastic parts - corrosion free
- Highly durable filter element
- Easy installation and operation
- Lightweight, compact design

Automatic Filters



Technical Data

	METRIC			US	
	bar			psi	
Max. pressure	bar	10		psi	145
Min. backwash pressure	bar	2.8		psi	40.6
Filtration surface area per unit	cm ²	1760		in ²	272.8
Filtration volume per unit	cm ³	2640		in ³	161
Backwash water volume per unit	lit	66		gal	17.4

Maximum Filtration Flow Rate / Water Quality

No. of units		3	4	5	6	7	8	3	4	5	6	7	8
Filtration Grade	Water Quality	m ³ /h						gpm					
400-130 μ	Good	110	148	185	222	259	296	484	652	814	977	1140	1302
	Average	90	120	150	180	210	240	396	528	660	792	924	1056
	Poor	66	88	110	132	154	176	290	387	484	581	678	774
	Very Poor	45*	60	75	90	105	120	198*	264	330	396	462	528
100-70 μ	Good	90	120	150	180	210	240	396	528	660	792	924	1056
	Average	66	88	110	132	154	176	290	387	484	581	678	774
	Poor	48*	64	80	96	112	128	211*	282	352	422	493	563
	Very Poor	33*	44*	55	66	77	88	145*	194*	242	290	339	387
55-40 μ	Good	60	80	100	120	140	160	264	352	440	528	616	704
	Average	48*	64	80	96	112	128	211*	282	352	422	493	563
	Poor	36*	48*	60	72	84	96	158*	211*	264	317	370	422
	Very Poor	27***	36**	45*	54	63	72	119***	158**	198*	238	277	317
20 μ	Good	30***	40**	50	60	70	80	132***	176***	220	264	308	352
	Average	24***	32***	40**	48*	56	64	106***	141***	176**	211*	246	282
	Poor	18***	24***	30***	36***	42*	48*	79***	106***	132***	158***	185*	211*
	Very Poor	12***	16***	20***	24***	28***	32***	53***	70***	88***	106***	123***	141***

* External source for backwash is necessary

** When pressure is low, it is necessary to close downstream valve during backwash

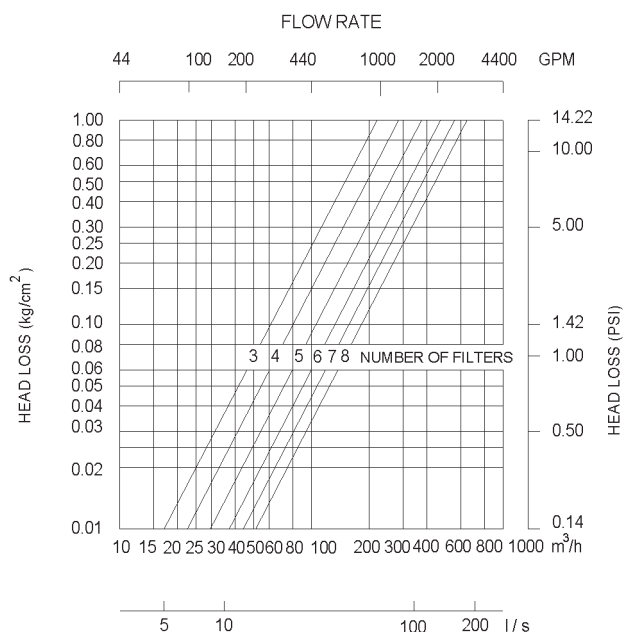
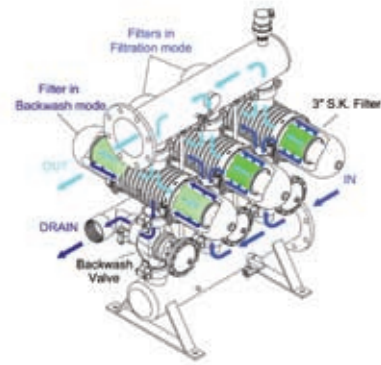
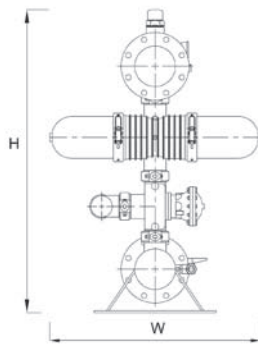
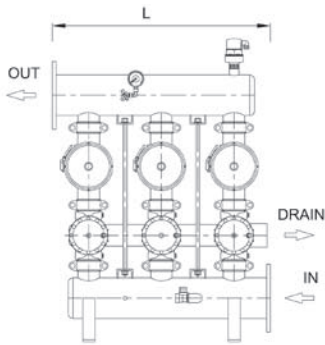
*** The 2" Spin Klin Battery is recommended

Crystal Filtration Batteries

Dimensions and Weights

No. of units		3	4	5	6	7	8		3	4	5	6	7	8
D Inlet\Outlet diameter	mm	90	110	160	160	225	225	inch	3	4	6	6	8	8
L Length	mm	900	1200	1500	1800	2100	2400	inch	35	47	59	71	83	94
H Height	mm	1220	1220	1220	1220	1488	1488	inch	48	48	48	47	59	59
W Width	mm	900	900	900	900	900	900	inch	35	35	35	35	35	35
Shipping weight (approx.)	kg	150	170	190	210	260	300	lbs	331	375	419	463	573	661

NOTE: Above dimensions are for standard models only: Polyester coated steel flanged inlet\outlet and drainage manifolds.



CRYSTAL filtration batteries are available with:
Polyester coated steel,
Stainless steel or
Polypropelene manifolds.

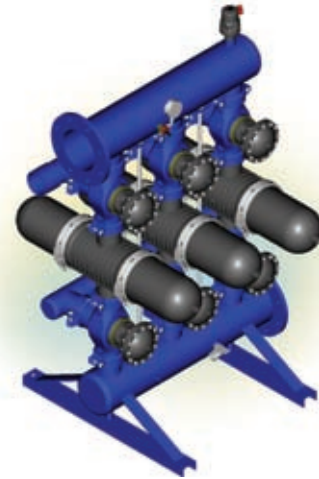
Crystal

Filtration Batteries - External Source Flushing

Features

- Precise filtration with Spin Klin technology
- Automatic filtration for medium flow rates
- Continuous flow during backwash
- Plastic parts - corrosion free
- Highly durable filter element
- Easy installation and operation
- Lightweight, compact design
- Simple and reliable operation

Automatic Filters



Technical Data

	METRIC		US	
Max. pressure	bar	10	psi	145
Min. filtration pressure	bar	0.8	psi	10
Min. backwash pressure	bar	2.8	psi	40.6
Filtration surface area per unit	cm ²	1,760	in ²	272.8
Filtration volume per unit	cm ³	2,640	in ³	161
Backwash water volume per unit	lit	66	gal	17.4

Maximum Filtration Flow Rate / Water Quality

No. of units		3	4	5	6	7	8	3	4	5	6	7	8
Filtration Grade	Water Quality	m ³ /h						gpm					
400-130 μ	Good	110	148	185	222	259	296	484	652	814	977	1140	1302
	Average	90	120	150	180	210	240	396	528	660	792	924	1056
	Poor	66	88	110	132	154	176	290	387	484	581	678	774
	Very Poor	45	60	75	90	105	120	198	264	330	396	462	528
100-70 μ	Good	90	120	150	180	210	240	396	528	660	792	924	1056
	Average	66	88	110	132	154	176	290	387	484	581	678	774
	Poor	48	64	80	96	112	128	211	282	352	422	493	563
	Very Poor	33	44	55	66	77	88	145	194	242	290	339	387
55-40 μ	Good	60	80	100	120	140	160	264	352	440	528	616	704
	Average	48	64	80	96	112	128	211	282	352	422	493	563
	Poor	36	48	60	72	84	96	158	211	264	317	370	422
	Very Poor	27	36	45	54	63	72	119	158	198	238	277	317
20 μ	Good	30	40	50	60	70	80	132	176	220	264	308	352
	Average	24	32	40	48	56	64	106	141	176	211	246	282
	Poor	18	24	30	36	42	48	79	106	132	158	185	211
	Very Poor	12	16	20	24	28	32	53	70	88	106	123	141

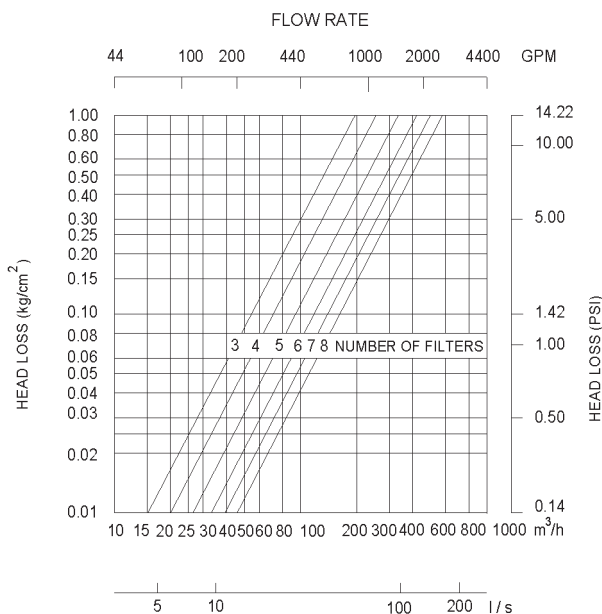
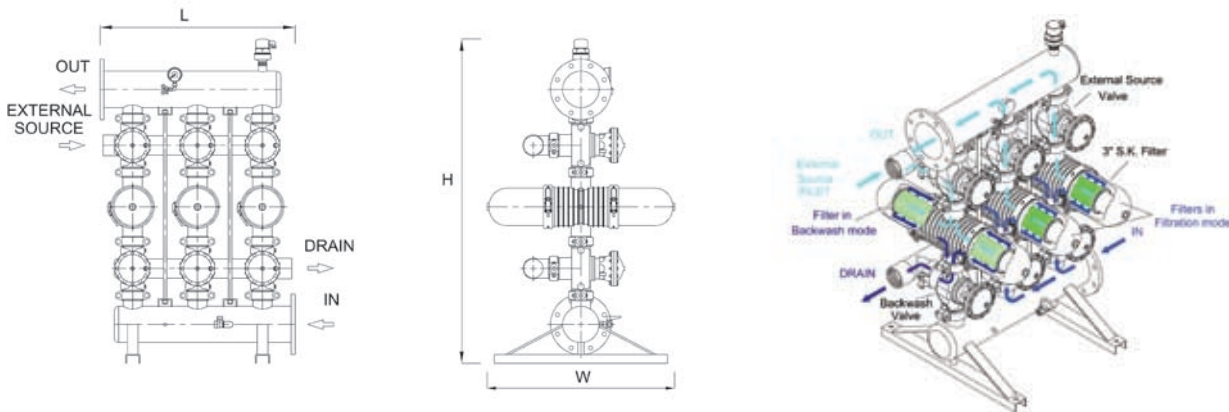
Crystal

Filtration Batteries - External Source Flushing

Dimensions and Weights

No. of units		3	4	5	6	7	8		3	4	5	6	7	8
D Inlet\Outlet diameter	mm	90	110	160	160	225	225	inch	3	4	6	6	8	8
L Length	mm	900	1200	1500	1800	2100	2400	inch	35	47	59	71	83	94
H Height	mm	1542	1542	1542	1542	1705	1705	inch	61	61	61	61	67	67
W Width	mm	900	900	900	900	900	900	inch	35	35	35	35	35	35
Shipping weight (approx.)	kg	170	190	210	230	280	320	lbs	375	419	462	506	616	704

NOTE: Above dimensions are for standard models only: Polyester coated steel flanged inlet\outlet and drainage manifolds.



CRYSTAL filtration batteries are available with:
 Polyester coated steel,
 Stainless steel or
 Polypropylene manifolds.

3" Poly Battery

Filtration Batteries

Features

- Precise filtration with Spin Klin technology
- Automatic filtration for medium flow rates
- Continuous flow during backwash
- Plastic parts - corrosion free
- Highly durable filter element
- Easy installation and operation
- Lightweight, compact design

Automatic Filters



Technical Data

	METRIC		US	
Max. pressure	bar	10	psi	145
Min. backwash pressure	bar	2.8	psi	40.6
Filtration surface area per unit	cm ²	1,760	in ²	272.8
Filtration volume per unit	cm ³	2,640	in ³	161
Backwash water volume per unit	lit	66	gal	17.4

Maximum Filtration Flow Rate / Water Quality

No. of units		3	4	5	6	7	8	3	4	5	6	7	8
Filtration Grade	Water Quality	m ³ /h						gpm					
		400-130 μ	Good	110	148	185	222	259	296	484	652	814	977
Average	90		120	150	180	210	240	396	528	660	792	924	1056
Poor	66		88	110	132	154	176	290	387	484	581	678	774
Very Poor	45*		60	75	90	105	120	198*	264	330	396	462	528
100-70 μ	Good	90	120	150	180	210	240	396	528	660	792	924	1056
	Average	66	88	110	132	154	176	290	387	484	581	678	774
	Poor	48*	64	80	96	112	128	211*	282	352	422	493	563
	Very Poor	33*	44*	55	66	77	88	145*	194*	242	290	339	387
55-40 μ	Good	60	80	100	120	140	160	264	352	440	528	616	704
	Average	48*	64	80	96	112	128	211*	282	352	422	493	563
	Poor	36*	48*	60	72	84	96	158*	211*	264	317	370	422
	Very Poor	27***	36**	45*	54	63	72	119***	158**	198*	238	277	317
20 μ	Good	30***	40**	50	60	70	80	132***	176**	220	264	308	352
	Average	24***	32***	40**	48*	56	64	106***	141***	176**	211*	246	282
	Poor	18***	24***	30***	36***	42*	48*	79***	106***	132***	158***	185*	211*
	Very Poor	12***	16***	20***	24***	28***	32***	53***	70***	88***	106***	123***	141***

* External source for backwash is necessary

** When pressure is low, it is necessary to close downstream valve during backwash

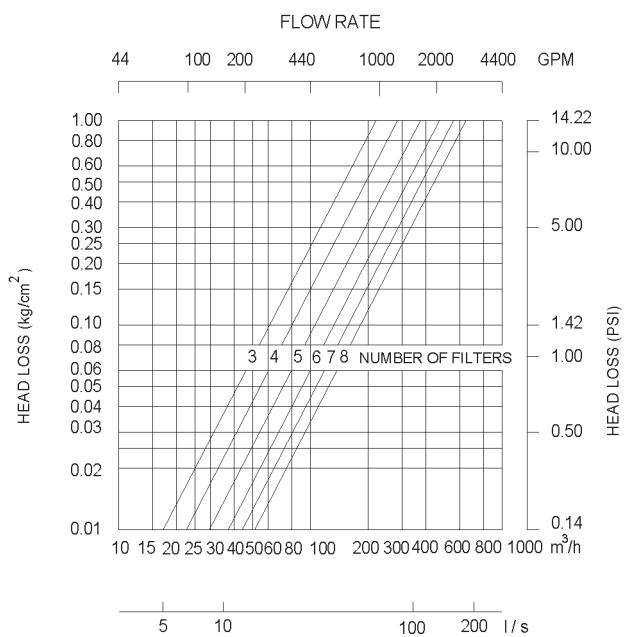
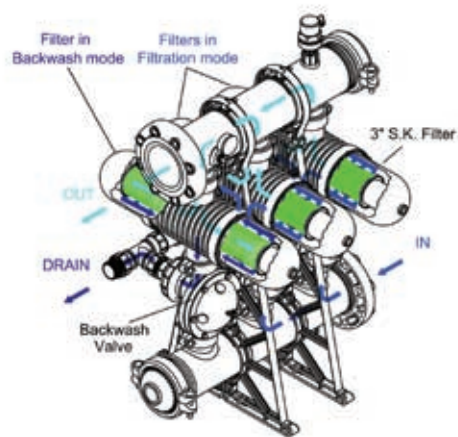
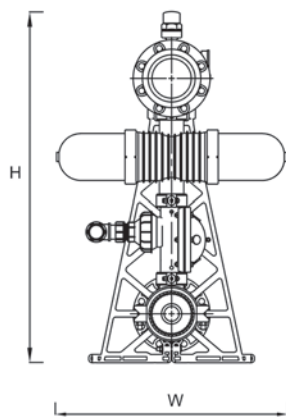
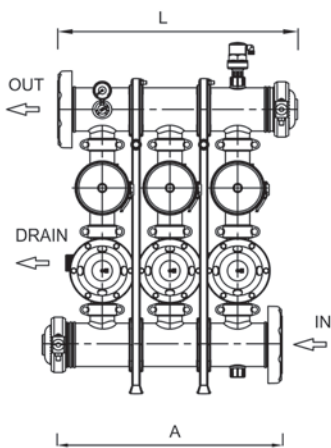
*** The 2" Spin Klin Battery is recommended

3" Poly Battery

Filtration Batteries

Dimensions and Weights

		3	4	5	6	7	8		3	4	5	6	7	8
D Inlet\Outlet diameter	mm	160	160	160	160	200	200	inch	6	6	6	6	8	8
L Length	mm	902	1152	1402	1652	2200	2500	inch	35 1/2	45 11/32	55 3/16	65 1/32	86 5/8	98 7/16
H Height	mm	1291	1291	1291	1291	1510	1510	inch	50 13/16	50 13/16	50 13/16	50 13/16	59 7/16	59 7/16
W Width	mm	865	865	865	865	865	865	inch	34 1/16	34 1/16	34 1/16	34 1/16	34 1/16	34 1/16
A Flange to flange distance	mm	820	1070	1320	1570	2200	2500	inch	32 9/32	42 1/8	51 31/32	61 13/16	86 5/8	98 7/16
Shipping weight (approx.)	kg	120	150	180	210	250	290	lbs	264	330	396	492	550	638



3" Spin Klin Poly batteries
are available with:
Non Corrosive material valves

Galaxy

Filtration Batteries

Features

- Precise filtration with Spin Klin technology
- Automatic filtration for high flow rates
- Continuous flow during backwash
- Plastic parts - corrosion free
- Highly durable filter element
- Lightweight, compact design
- Simple and reliable operation

Automatic Filters



Technical Data

	METRIC		US	
Max. pressure	bar	10	psi	145
Min. backwash pressure	bar	2.8	psi	40.6
Filtration surface area per unit	cm ²	4,400	in ²	680
Filtration volume per unit	cm ³	6,600	in ³	410
Backwash water volume per unit	lit	165	gal	44

Maximum Filtration Flow Rate / Water Quality

No. of units		3	4	5	6	7	8	3	4	5	6	7	8
Filtration Grade	Water Quality	m ³ /h						gpm					
400-130 μ	Good	300	400	500	600	700	800	1320	1760	2200	2640	3080	3520
	Average	225	300	375	450	525	600	990	1320	1650	1980	2310	2640
	Poor	150	200	250	300	350	400	660	880	1100	1320	1540	1760
	Very Poor	100*	130	160	200	230	260	435*	580	725	870	1015	1160
100-70 μ	Good	270	360	450	540	630	720	1190	1585	1980	2375	2770	3165
	Average	205	270	340	410	480	550	900	1200	1500	1800	2100	2400
	Poor	135*	180	225	270	315	360	600*	800	1000	1200	1400	1600
	Very Poor	90**	120	150	180	210	240	400**	530	660	790	920	1050
55-40 μ	Good	170	225	280	335	390	445	750	990	1235	1480	1725	1970
	Average	125*	165	210	255	300	345	555*	740	925	1110	1295	1480
	Poor	85**	110*	140	170	200	230	370**	490*	615	740	865	990
	Very Poor	60**	80**	100*	120*	140	160	260**	340**	430*	520*	610	700
20 μ	Good	N/A***	N/A***	140	170	200	230	N/A***	N/A***	630	745	870	995
	Average	N/A***	N/A***	105*	125*	150	175	N/A***	N/A***	475*	565*	660	755
	Poor	N/A***	N/A***	70**	85**	100*	115*	N/A***	N/A***	310**	370**	435*	500*
	Very Poor	N/A***	N/A***	50**	60**	70**	80**	N/A***	N/A***	220**	260**	315*	350*

Higher flow rates available with additional unit design

* External source for backwash is necessary

** When pressure is low, it is necessary to close downstream valve during backwash

*** The 3" Spin Klin Battery is recommended

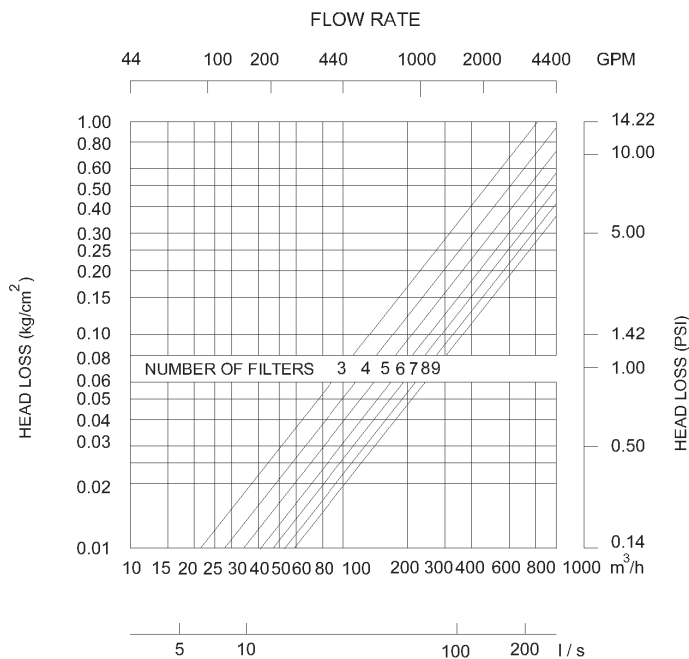
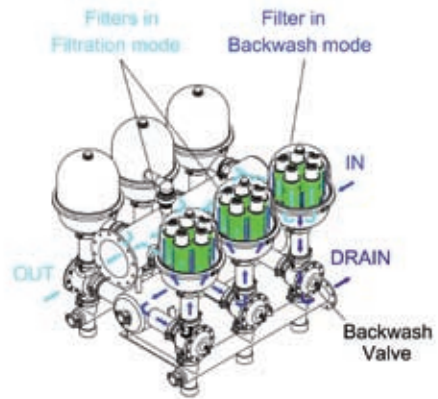
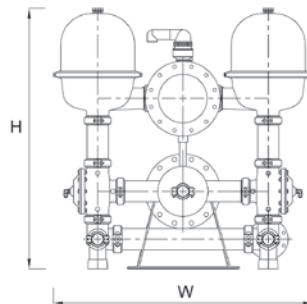
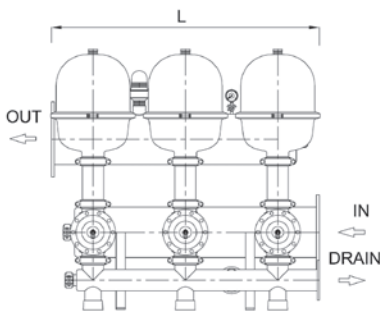
Galaxy

Filtration Batteries

Dimensions and Weights

No. of units		3	4	5	6	7	8		3	4	5	6	7	8
D Inlet\Outlet diameter	mm	225	280	280	315	315	355	inch	8	10	10	12	12	14
L Length	mm	1450	1950	2450	1450	1950	1950	inch	57	77	96	57	77	77
H Height	mm	1405	1405	1405	1405	1405	1405	inch	55	55	55	55	55	55
W Width	mm	830	900	970	1450	1450	1510	inch	33	35	38	57	57	59
Shipping weight (approx.)	kg	290	370	485	610	720	912	lbs	638	814	1067	1342	1584	2006

NOTE: Above dimensions are for standard models only: Polyester coated steel flanged inlet\outlet and drainage manifolds.



GALAXY filtration batteries are available with:
 Polyester coated steel, Stainless steel or Polypropylene manifolds.
 Stainless steel 316, Polyester coated steel or Polymer pods.

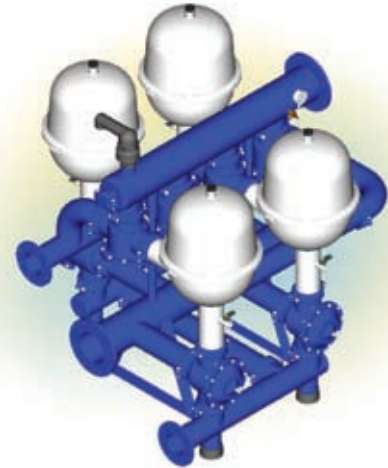
Galaxy

Filtration Batteries - External Source Flushing

Features

- Precise filtration with Spin Klin technology
- Automatic filtration for high flow rates
- Plastic parts - corrosion free
- Highly durable filter element
- Easy installation and operation
- Lightweight, compact design
- Simple and reliable operation

Automatic Filters



Technical Data

	METRIC		US	
Max. pressure	bar	10	psi	145
Min. backwash pressure	bar	2.8	psi	40.6
Min. filtration pressure	bar	0.8	psi	12
Filtration surface area per unit	cm ²	4,400	in ²	680
Filtration volume per unit	cm ³	6,600	in ³	410
Backwash water volume per unit	lit	165	gal	44

Maximum Filtration Flow Rate / Water Quality

No. of units		3	4	5	6	7	8	3	4	5	6	7	8
Filtration Grade	Water Quality	m ³ /h						gpm					
400-130 μ	Good	300	400	500	600	700	800	1320	1760	2200	2640	3080	3520
	Average	225	300	375	450	525	600	990	1320	1650	1980	2310	2640
	Poor	150	200	250	300	350	400	660	880	1100	1320	1540	1760
	Very Poor	100	130	160	200	230	260	435	580	725	870	1015	1160
100-70 μ	Good	270	360	450	540	630	720	1190	1585	1980	2375	2770	3165
	Average	205	270	340	410	480	550	900	1200	1500	1800	2100	2400
	Poor	135	180	225	270	315	360	600	800	1000	1200	1400	1600
	Very Poor	90	120	150	180	210	240	400	530	660	790	920	1050
55-40 μ	Good	170	225	280	335	390	445	750	990	1235	1480	1725	1970
	Average	125	165	210	255	300	345	555	740	925	1110	1295	1480
	Poor	85	110	140	170	200	230	370	490	615	740	865	990
	Very Poor	60	80	100	120	140	160	260	340	430	520	610	700
20 μ	Good	N/A*	N/A*	140	170	200	230	N/A*	N/A*	630	745	870	995
	Average	N/A*	N/A*	105	125	150	175	N/A*	N/A*	475	565	660	755
	Poor	N/A*	N/A*	70	85	100	115	N/A*	N/A*	310	370	435	500
	Very Poor	N/A*	N/A*	50	60	70	80	N/A*	N/A*	220	260	315	350

Higher flow rates available with additional unit design

* The 3" Spin Klin battery is recommended

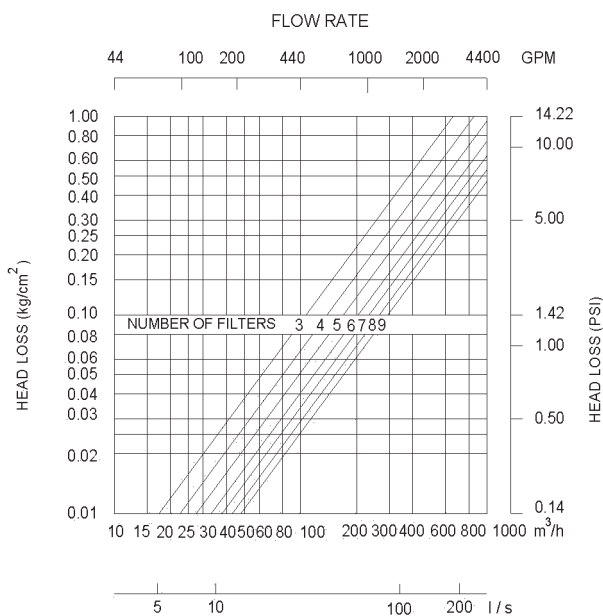
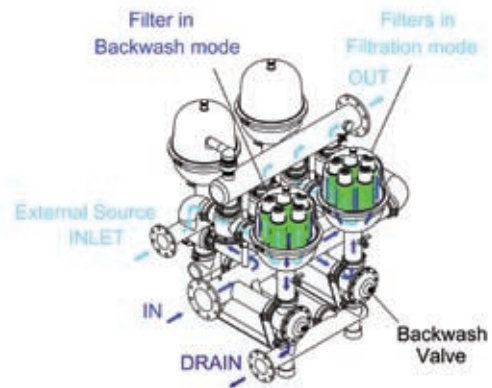
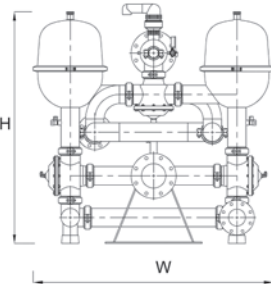
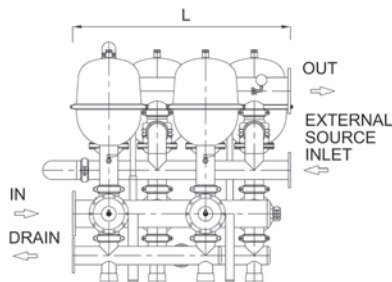
Galaxy

Filtration Batteries - External Source Flushing

Dimensions and Weights

No. of units		3	4	5	6	7	8		3	4	5	6	7	8
D Inlet\Outlet diameter	mm	225	280	280	315	315	355	inch	8	10	10	12	12	14
L Length	mm	1305	1805	2305	2105	2405	2655	inch	51	71	91	83	95	105
H Height	mm	1533	1587	1587	1633	1633	1666	inch	60	62	62	64	64	66
W Width	mm	1112	1112	1112	1813	1813	1511	inch	44	44	44	71	71	59
Shipping weight (approx.)	kg	750	863	998	1146	1290	1462	lbs	1654	1909	2200	2526	2844	3223

NOTE: Above dimensions are for standard models only: Polyester coated steel flanged inlet\outlet and drainage manifolds.



GALAXY filtration batteries are available with:

Polyester coated steel, Stainless steel or Polypropylene manifolds.

Stainless steel 316, Polyester coated steel or Polymer modules.

Galaxy Polymer Filtration Batteries

Features

- Precise filtration with Spin Klin technology
- Automatic filtration for high flow rates
- Continuous flow during backwash
- Plastic parts - corrosion free
- Highly durable filter element
- Lightweight, compact design
- Simple and reliable operation

Automatic Filters



Technical Data

	METRIC			US	
Max. pressure	bar	10	psi	145	
Min. backwash pressure	bar	2.8	psi	40.6	
Filtration surface area per unit	cm ²	4.400	in ²	680	
Filtration volume per unit	cm ³	6.600	in ³	410	
Backwash water volume per unit	lit	165	gal	44	

Maximum Filtration Flow Rate / Water Quality

No. of units		3	4	5	6	7	8	3	4	5	6	7	8
Filtration Grade	Water Quality	m ³ /h						gpm					
400-130 μ	Good	300	400	500	600	700	800	1320	1760	2200	2640	3080	3520
	Average	225	300	375	450	525	600	990	1320	1650	1980	2310	2640
	Poor	150	200	250	300	350	400	660	880	1100	1320	1540	1760
	Very Poor	100*	130	160	200	230	260	435*	580	725	870	1015	1160
100-70 μ	Good	270	360	450	540	630	720	1190	1585	1980	2375	2770	3165
	Average	205	270	340	410	480	550	900	1200	1500	1800	2100	2400
	Poor	135*	180	225	270	315	360	600*	800	1000	1200	1400	1600
	Very Poor	90**	120	150	180	210	240	400**	530	660	790	920	1050
55-40 μ	Good	170	225	280	335	390	445	750	990	1235	1480	1725	1970
	Average	125*	165	210	255	300	345	555*	740	925	1110	1295	1480
	Poor	85**	110*	140	170	200	230	370**	490*	615	740	865	990
	Very Poor	60**	80**	100*	120*	140	160	260**	340**	430*	520*	610	700
20 μ	Good	N/A***	N/A***	140	170	200	230	N/A***	N/A***	630	745	870	995
	Average	N/A***	N/A***	105*	125*	150	175	N/A***	N/A***	475*	565*	660	755
	Poor	N/A***	N/A***	70**	85**	100*	115*	N/A***	N/A***	310**	370**	435*	500*
	Very Poor	N/A***	N/A***	50**	60**	70**	80**	N/A***	N/A***	220**	260**	315*	350*

Higher flow rates available with additional unit design

* External source for backwash is necessary

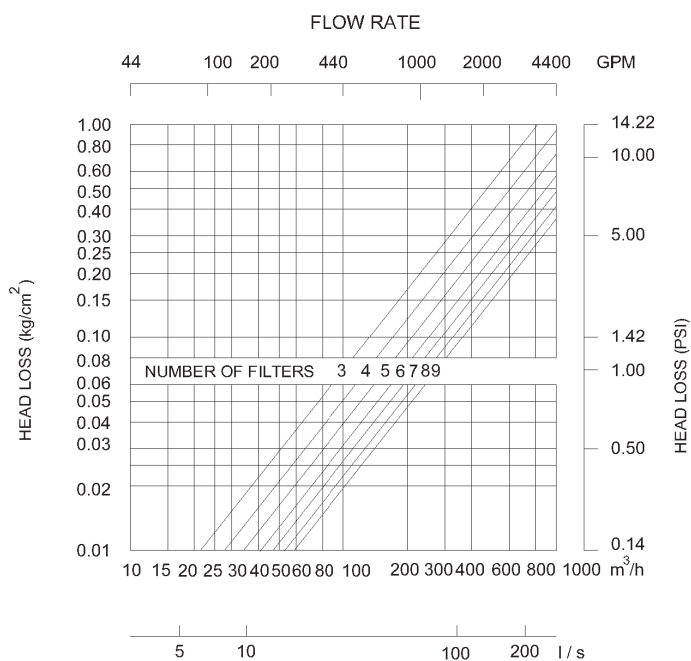
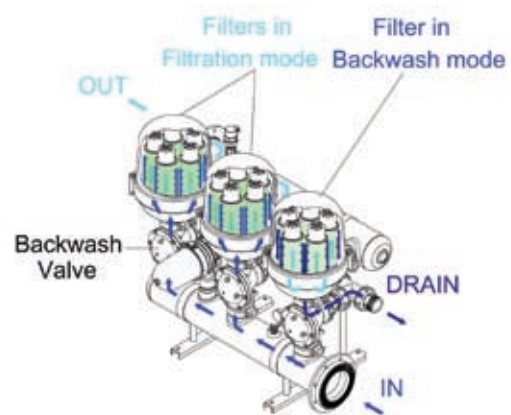
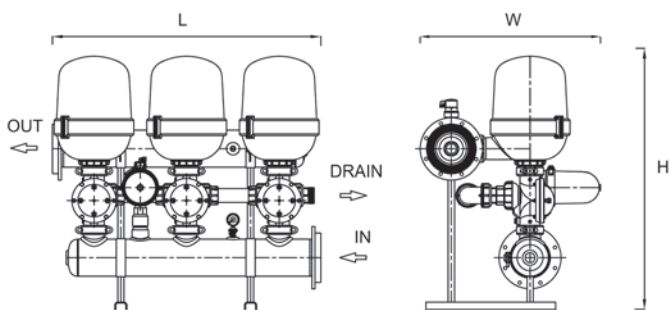
** When pressure is low, it is necessary to close downstream valve during backwash

*** The 3" Spin Klin Battery is recommended

Galaxy Polymer Filtration Batteries

Dimensions and Weights

		3	4	5	6	7	8		3	4	5	6	7	8
D Inlet\Outlet diameter	mm	225	280	280	315	315	355	inch	8	10	10	12	12	14
L Length	mm	1450	1950	2450	1450	1950	1950	inch	57	77	96	57	77	77
H Height	mm	1405	1405	1405	1405	1405	1405	inch	55	55	55	55	55	55
W Width	mm	830	900	970	1450	1450	1510	inch	33	35	38	57	57	59
Shipping weight (approx.)	kg	290	370	485	610	720	912	lbs	638	814	1067	1342	1584	2006



**GALAXY Polymer batteries
are available with:
Non Corrosive material valves**

3/4" Filter

Manual Disc Filter

Features

- Durable filter element
- Corrosion free
- All Plastic
- Precise disc filtration

Manual Filters



Technical Data

	METRIC		US	
	mm		in	
Connection diameter	mm	20	in	3/4
Filtration surface area	cm ²	160	in ²	24.8
Filtration volume	cm ³	95	in ³	5.8
Pressure rating	bar	10	psi	145
Max. temp.	0C	60	0F	140

Maximum Filtration Flow Rate / Water Quality

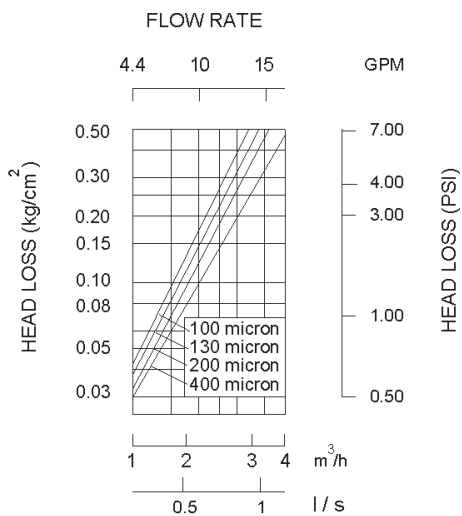
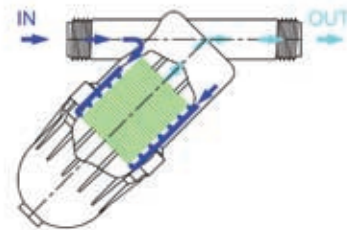
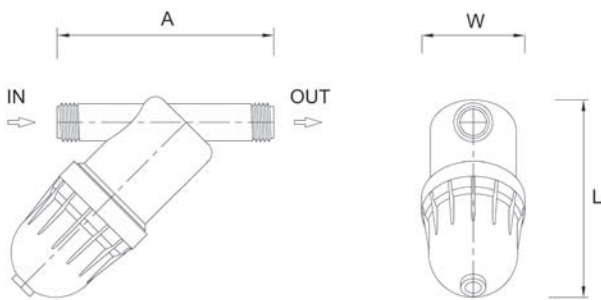
Filtration Grade	Water Quality	m ³ /h	gpm
400-130 μ	Good	4	17.6
	Average	3	13.5

3/4" Filter

Manual Disc Filter

Dimensions and Weights

D Inlet/Outlet diameter	mm	20	inch	3/4
L Length	mm	144	inch	5 11/16
W Width	mm	74	inch	2 29/32
A	mm	150	inch	5 29/32
Shipping weight (approx.)	kg	0.37	lbs	0.8



3/4" Filter is available in:
Polyester

3/4" Filtap

Manual Disc Filter

Features

- Precise disc filtration
- Durable filter element
- All plastic-corrosion free
- Built in, integral tap

Manual Filters



Technical Data

	METRIC		US	
	mm		in	
Connection diameter	mm	20	in	3/4
Filtration surface area	cm ²	160	in ²	24 13/16
Filtration volume	cm ³	95	in ³	5 13/16
Pressure rating	bar	10	psi	145
Max. temp.	°C	60	°F	140

Maximum Filtration Flow Rate / Water Quality

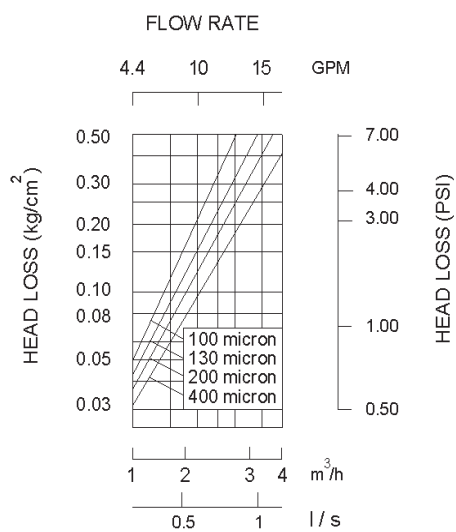
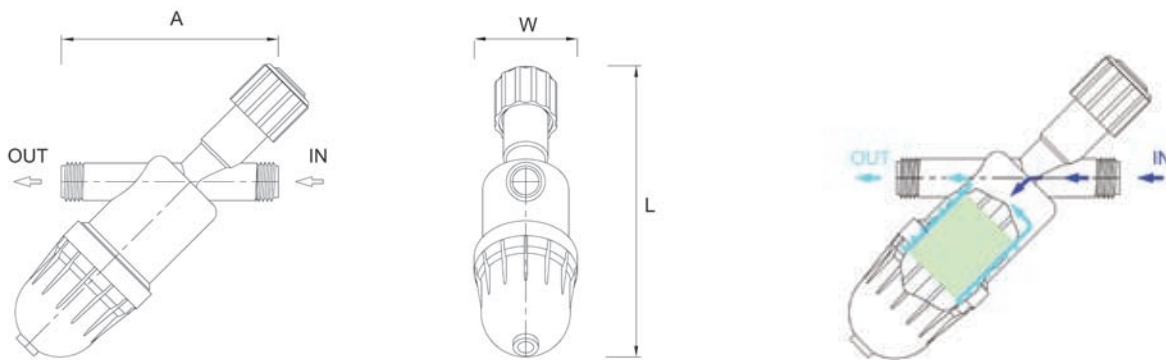
Filtration Grade	Water Quality	m ³ /h	gpm
400-130 μ	Good	4	18
	Average	3	13.5

3/4" Filtap

Manual Disc Filter

Dimensions and Weights

D Inlet/Outlet diameter	mm	20	inch	3/4
L Length	mm	210	inch	8 1/4
W Width	mm	74	inch	2 29/32
A	mm	155	inch	6 3/32
Shipping weight (approx.)	kg	0.420	lbs	0.9



3/4" Filtap is available in:
Polyester.

1" Short Manual Disc Filter

Features

- Precise disc filtration
- Durable filter element
- All plastic-corrosion free

Manual Filters



Technical Data

	METRIC		US	
	mm	cm	in	ft
Connection diameter	25	10	1	0.33
Filtration surface area	308	0.047	48	0.0014
Filtration volume	370	0.00053	22	0.0007
Pressure rating	10	145	145	20.7
Max. temp.	70	158	158	314

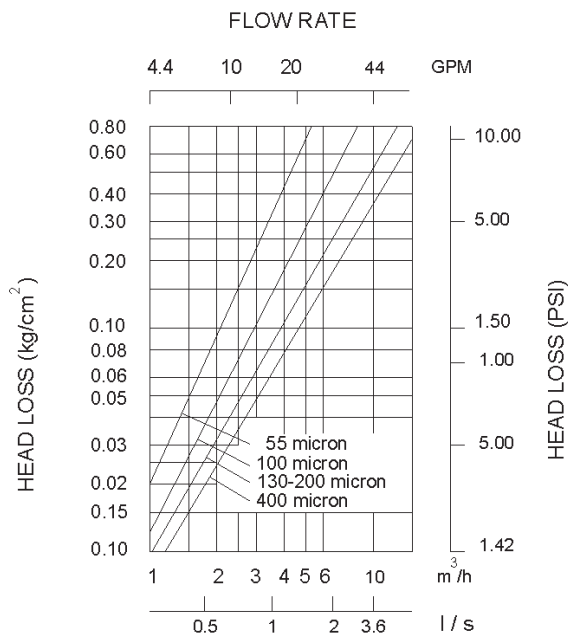
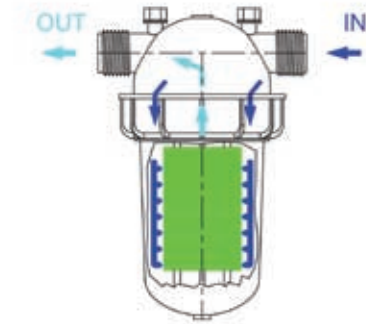
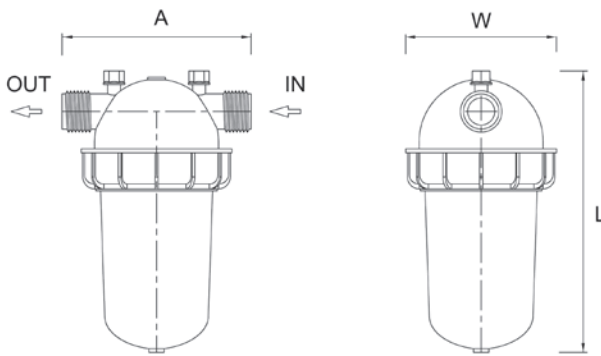
Maximum Filtration Flow Rate / Water Quality

Filtration Grade	Water Quality	m ³ /h	gpm
400-130 μ	Good	6	26.5
	Average	4.5	20
55 μ	Good	4.2	18.5
	Average	3.15	14

1" Short Manual Disc Filter

Dimensions and Weights

D Inlet/Outlet diameter	mm	25	inch	1
L Length	mm	233	inch	9 3/16
W Width	mm	130	inch	5 3/32
A	mm	158	inch	6 7/32
Shipping weight (approx.)	kg	1.1	lbs	2.4



1" Short is available in:
Polyamide or Polypropylene.

1" Super Manual Disc Filter

Features

- Precise disc filtration
- Durable filter element
- All plastic-corrosion free

Manual Filters



Technical Data

	METRIC		US	
	mm		in	
Connection diameter	mm	25	in	1
Filtration surface area	cm ²	501.2	in ²	77.78
Filtration volume	cm ³	592	in ³	36.1
Pressure rating	bar	10	psi	145
Max. temp.	°C	70	°F	158

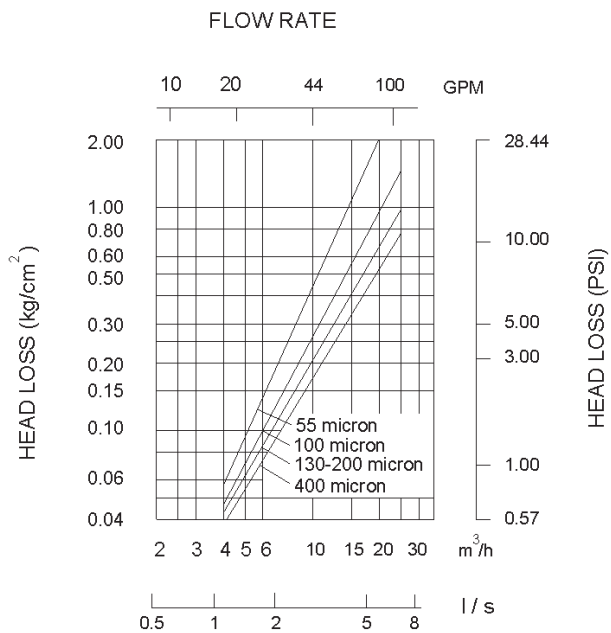
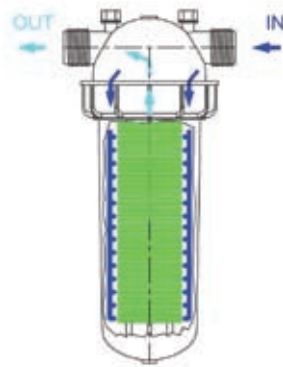
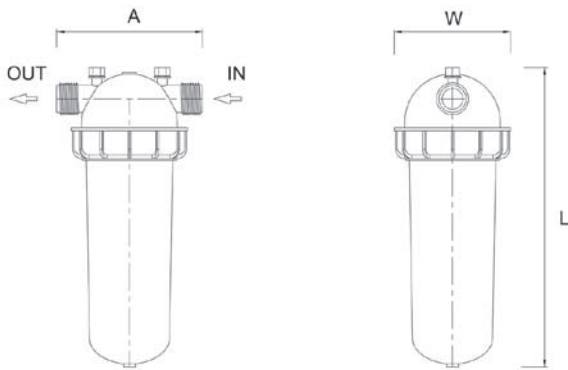
Maximum Filtration Flow Rate / Water Quality

Filtration Grade	Water Quality	m ³ /h	gpm
400-130 μ	Good	8	35
	Average	6	26.5
55 μ	Good	5.6	25
	Average	4.2	18.5

1" Super Manual Disc Filter

Dimensions and Weights

D Inlet/Outlet diameter	mm	25	inch	1
L Length	mm	340	inch	13 13/32
W Width	mm	130	inch	5 3/32
A	mm	158	inch	6 7/32
Shipping weight (approx.)	kg	1.42	lbs	3.13



1" Super is available in:
Polyamide or Polypropylene.

1½" Short Manual Disc Filter

Features

- Precise disc filtration
- Durable filter element
- All plastic-corrosion free

Manual Filters



Technical Data

	METRIC		US	
	mm		in	
Connection diameter	40		1 ½"	
Filtration surface area	308	cm ²	48	in ²
Filtration volume	370	cm ³	23	in ³
Pressure rating	10	bar	145	psi
Max. temp.	70	°C	158	°F

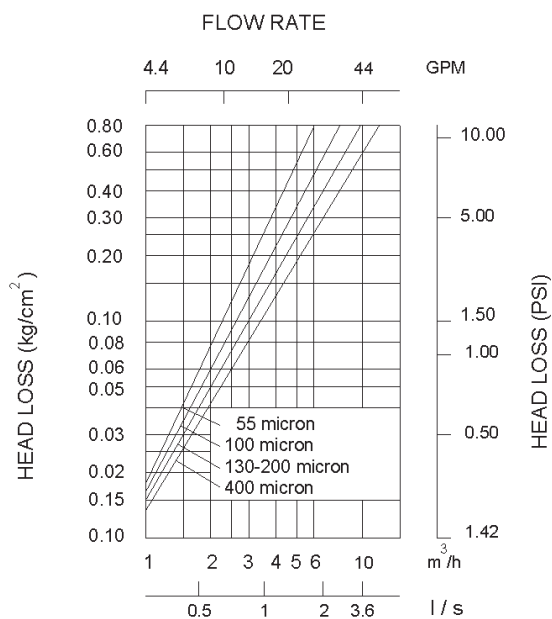
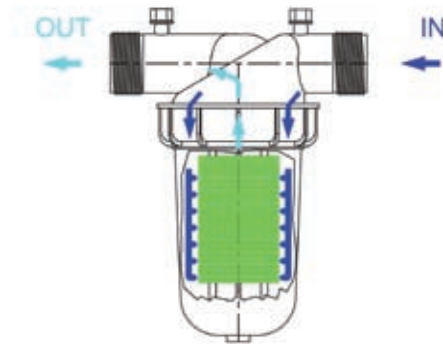
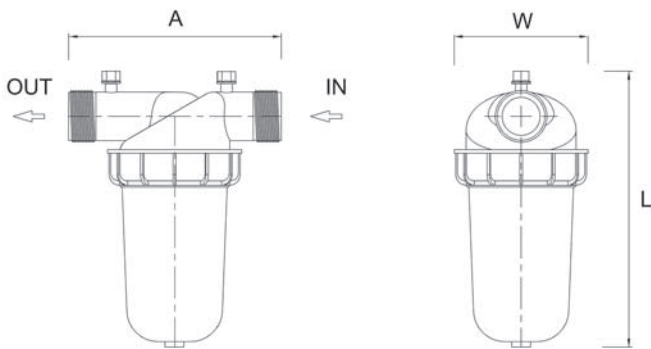
Maximum Filtration Flow Rate / Water Quality

Filtration Grade	Water Quality	m ³ /h	gpm
400-130 μ	Good	8	35
	Average	6	26.5
55 μ	Good	5.6	25
	Average	4.2	18.5

1½" Short Manual Disc Filter

Dimensions and Weights

D Inlet/Outlet diameter	mm	40	inch	1 1/2
L Length	mm	250	inch	9 27/32
W Width	mm	130	inch	5 3/32
A	mm	200	inch	7 7/8
Shipping weight (approx.)	kg	1.3	lbs	2.9



1½" Short is available in:
Polyamide or Polypropylene.

1½" Super Manual Disc Filter

Features

- Precise disc filtration
- Durable filter element
- All plastic-corrosion free

Manual Filters



Technical Data

	METRIC		US	
	mm		in	
Connection diameter	mm	40	in	1 1/2
Filtration surface area	cm ²	501.8	in ²	77.78
Filtration volume	cm ³	592	in ³	36 3/32
Pressure rating	bar	10	psi	145
Max. temp.	0C	70	0F	158

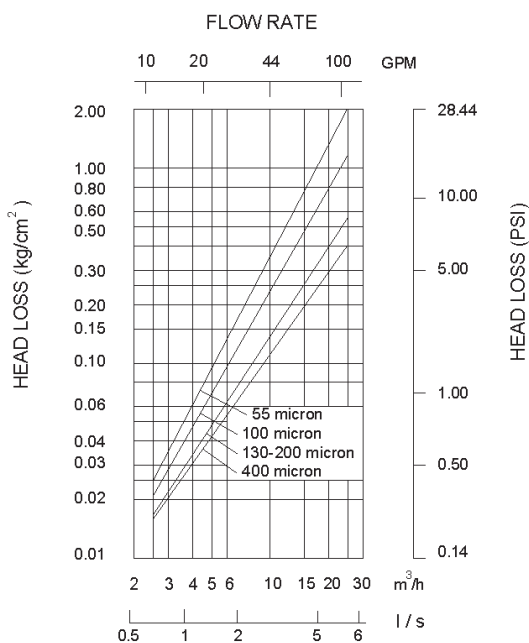
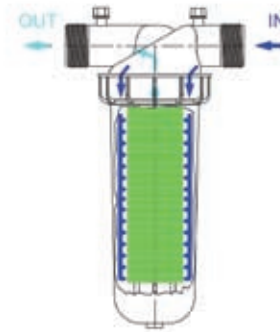
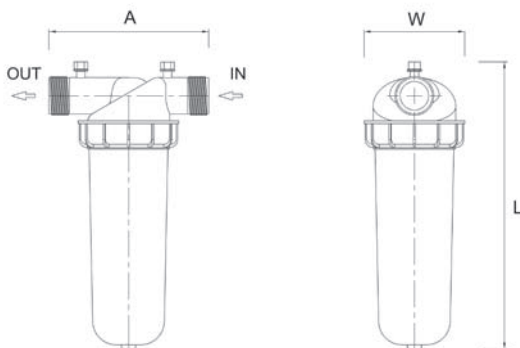
Maximum Filtration Flow Rate / Water Quality

Filtration Grade	Water Quality	m ³ /h	gpm
400-130 µ	Good	12	53
	Average	9	40
55 µ	Good	8.4	37
	Average	6.3	28

1½" Super Manual Disc Filter

Dimensions and Weights

D Inlet/Outlet diameter	mm	40	inch	1 1/2
L Length	mm	350	inch	13 25/32
W Width	mm	130	inch	5 3/32
A	mm	200	inch	7 7/8
Shipping weight (approx.)	kg	1.51	lbs	3.32



1½" Super is available in:
Polyamide or Polypropylene.

2" Dual Manual Disc Filter

Features

- Precise disc filtration
- High flow capacity
- Durable filter element
- All plastic-corrosion free

Manual Filters



Technical Data

	METRIC		US	
Connection diameter	mm	50	in	2
Filtration surface area	cm ²	950	in ²	148
Filtration volume	cm ³	1,225	in ³	75
Pressure rating	bar	12	psi	168
Max. temp.	°C	70	°F	158

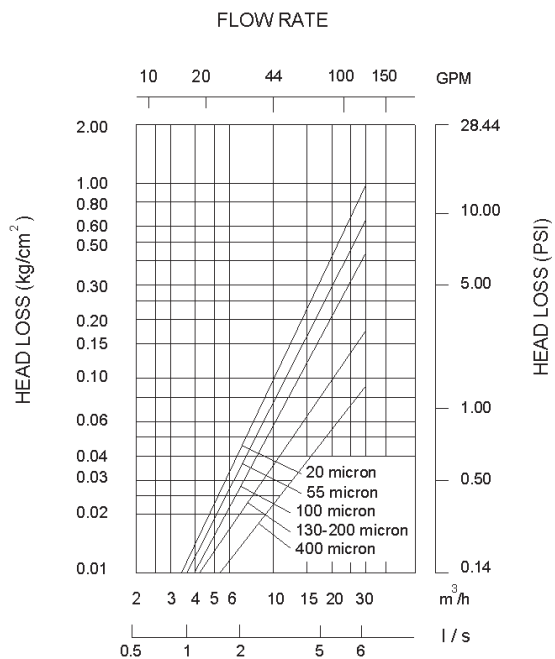
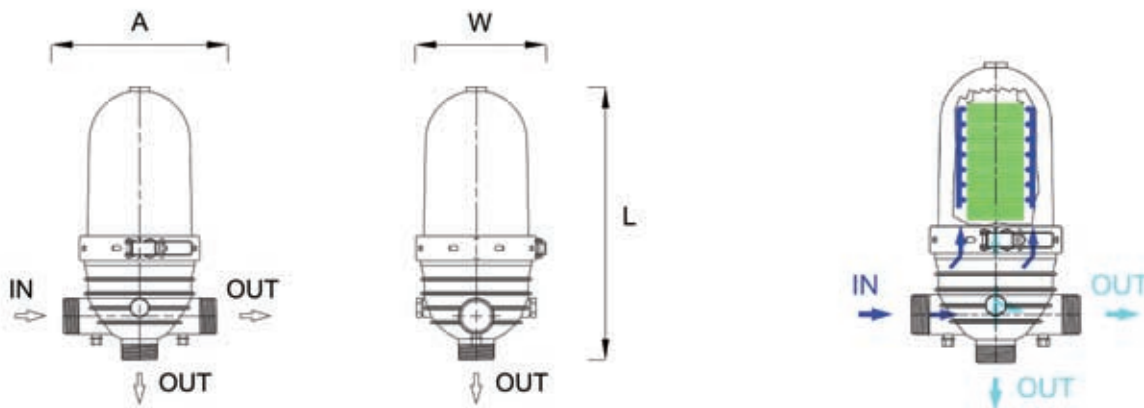
Maximum Filtration Flow Rate / Water Quality

Filtration Grade	Water Quality	m ³ /h	gpm
400-130 μ	Good	25	110
	Average	18.75	82.5
55 μ	Good	17.5	77
	Average	13.1	58
20 μ	Good	12.5	55
	Average	9.37	41

2" Dual Manual Disc Filter

Dimensions and Weights

D Inlet/Outlet diameter	mm	50	inch	2
L Length	mm	465	inch	18 ⁵ / ₁₆
W Width	mm	200	inch	7 ⁷ / ₈
A	mm	260	inch	10 ¹ / ₄
Shipping weight (approx.)	kg	5	lbs	11



2" Dual is available in:
Polyamide or Polysulfon.

2" Super Manual Disc Filter

Features

- Precise disc filtration
- High flow capacity
- Durable filter element
- All plastic-corrosion free

Manual Filters



Technical Data

	METRIC		US	
	mm		in	
Connection diameter	mm	50	in	2
Filtration surface area	cm ²	950	in ²	148
Filtration volume	cm ³	1,225	in ³	75
Pressure rating	bar	10	psi	145
Max. temp.	°C	70	°F	158

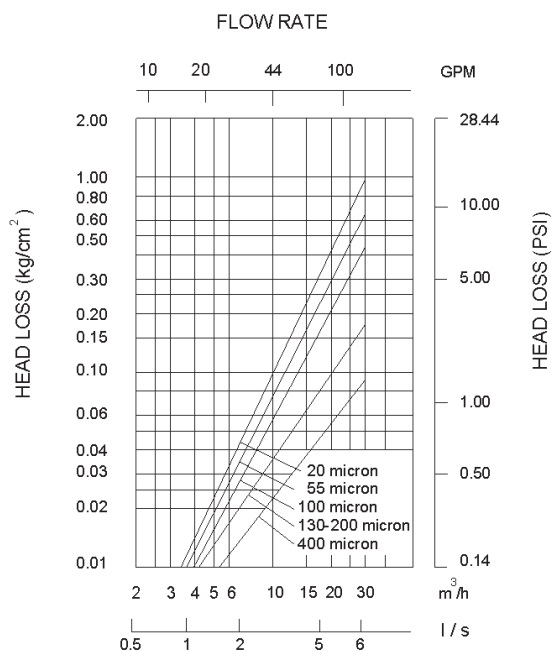
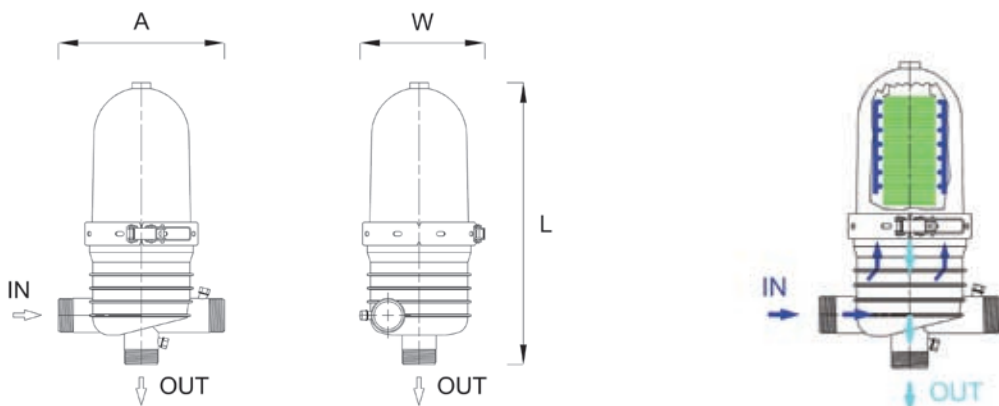
Maximum Filtration Flow Rate / Water Quality

Filtration Grade	Water Quality	m ³ /h	gpm
400-130 µ	Good	25	110
	Average	18.75	82.5
55 µ	Good	17.5	77
	Average	13.1	58
20 µ	Good	12.5	55
	Average	9.37	41

2" Super Manual Disc Filter

Dimensions and Weights

D Inlet/Outlet diameter	mm	50	inch	2
L Length	mm	495	inch	19 1/2
W Width	mm	200	inch	7 7/8
A	mm	260	inch	11 13/32
Shipping weight (approx.)	kg	6	lbs	13.2



2" Super is available in:
Polyamide.

2" Leader Manual Disc Filter

Features

- Durable filter element
- Corrosion free
- All Polypropylene
- Precise disc filtration

Manual Filters



Technical Data

	METRIC		US	
Connection diameter	mm	50	in	2
Filtration surface area	cm ²	950	in ²	148
Filtration volume	cm ³	1,225	in ³	75
Pressure rating	bar	10	psi	145
Max. temp.	°C	70	°F	158

Maximum Filtration Flow Rate / Water Quality

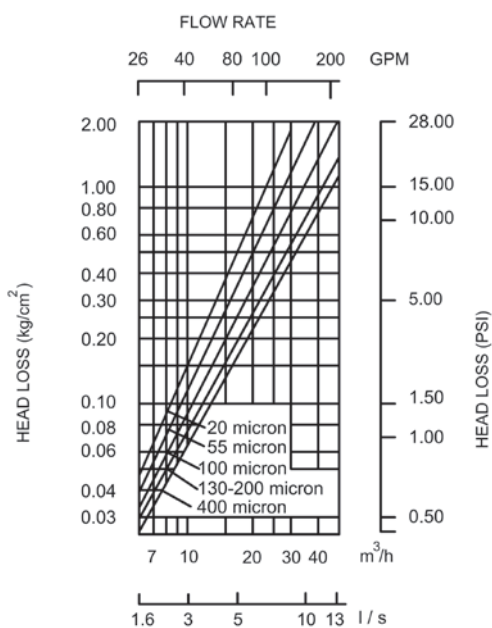
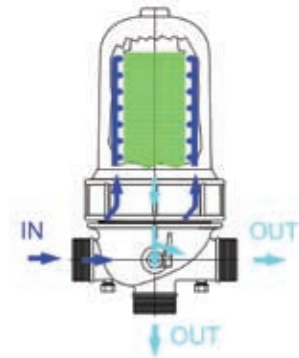
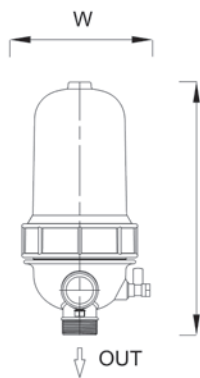
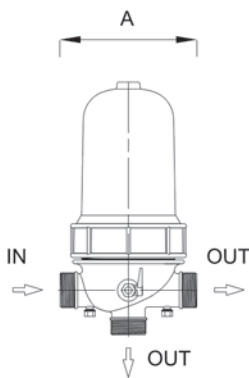
Filtration Grade	Water Quality	m ³ /h	gpm
400-130 µ	Good	30	132
	Average	21	92
55 µ	Good	16	70.4
	Average	11	48.5
20 µ	Good	8	35.2
	Average	5	22

2" Leader

Manual Disc Filter

Dimensions and Weights

D Inlet/Outlet diameter	mm	50	inch	2
L Length	mm	425	inch	16 ²³ / ₃₂
W Width	mm	215	inch	8 ¹⁴ / ₃₂
A	mm	230	inch	9 ¹ / ₁₆
Shipping weight (approx.)	kg	3.2	lbs	7



2" Leader is available in:
Polypropylene.

3" Twin Manual Disc Filter

Features

- Precise disc filtration
- High flow capacity
- Durable filter element
- All plastic-corrosion free

Manual Filters



Technical Data

	METRIC		US	
Connection diameter	mm	80	in	3
Filtration surface area	cm ²	1,900	in ²	294
Filtration volume	cm ³	2,450	in ³	150
Pressure rating	bar	10	psi	145
Max. temp.	°C	70	°F	158

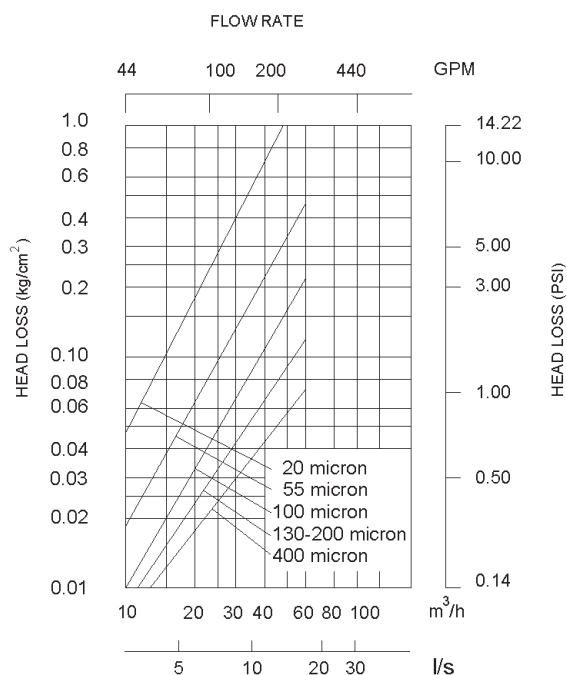
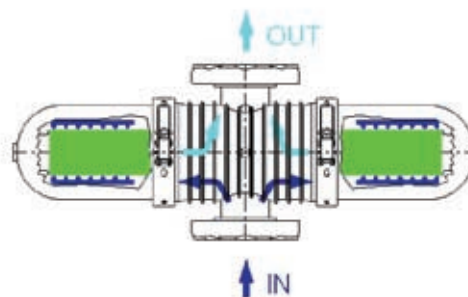
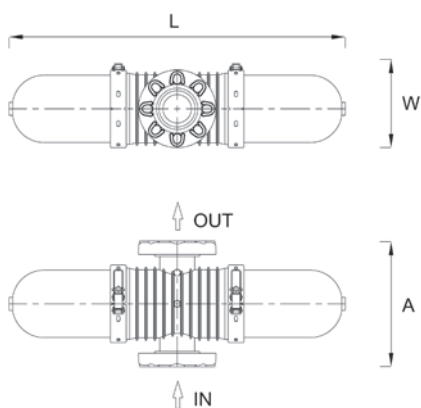
Maximum Filtration Flow Rate / Water Quality

Filtration Grade	Water Quality	m ³ /h	gpm
400-130 µ	Good	40	176
	Average	30	132
55 µ	Good	28	123
	Average	21	92.5
20 µ	Good	20	88
	Average	15	66

3" Twin Manual Disc Filter

Dimensions and Weights

D Inlet/Outlet diameter	mm	90	inch	3
L Length	mm	865	inch	34 1/16
W Width	mm	217	inch	8 9/16
A	mm	320	inch	12 19/32
Shipping weight (approx.)	kg	9.85	lbs	21.7



**3" Twin is available in:
Polyamide.**

3" Leader Manual Disc Filter

Features

- Durable filter element
- Corrosion free
- All Polypropylene
- Precise disc filtration

Manual Filters



Technical Data

	METRIC		US	
Connection diameter	mm	90	in	3
Filtration surface area	cm ²	1,900	in ²	294
Filtration volume	cm ³	2,450	in ³	150
Pressure rating	bar	10	psi	145
Max. temp.	°C	70	°F	158

Maximum Filtration Flow Rate / Water Quality

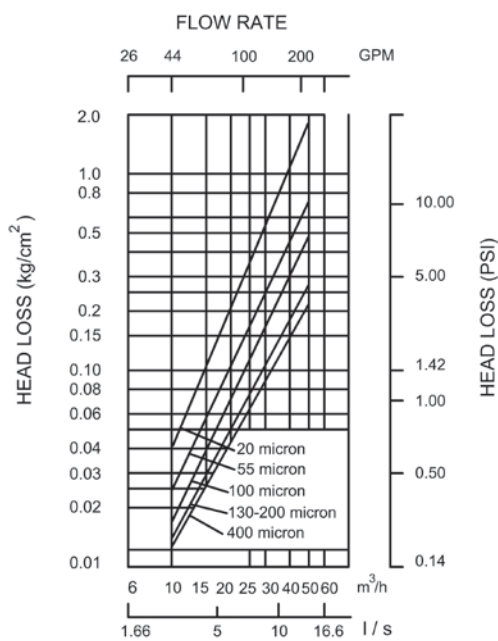
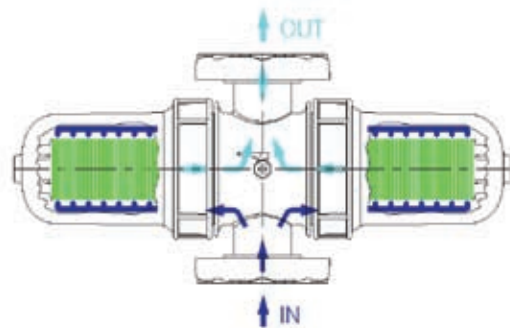
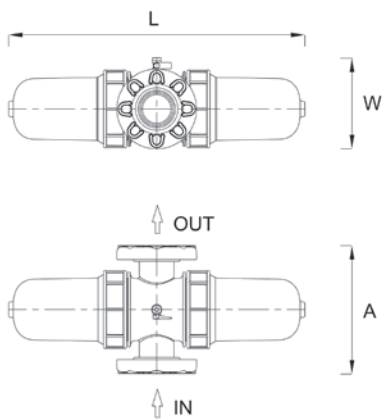
Filtration Grade	Water Quality	m ³ /h	gpm
400-130 μ	Good	50	220
	Average	35	154
55 μ	Good	32	141
	Average	22	97
20 μ	Good	16	70
	Average	11	48.4

3" Leader

Manual Disc Filter

Dimensions and Weights

D Inlet/Outlet diameter	mm	90	inch	3
L Length	mm	742	inch	29 ⁷ / ₃₂
W Width	mm	228	inch	8 ³ / ₃₂
A	mm	320	inch	12 ¹⁹ / ₃₂
Shipping weight (approx.)	kg	6.3	lbs	13.9



3" Leader Filter is available in:
Polypropylene.

3" Super Angle Manual Disc Filter

Features

- High flow capacity
- Durable filter element
- Corrosion free
- All Plastic
- Precise disc filtration

Manual Filters



Technical Data

	METRIC		US	
	mm		in	
Connection diameter	mm	90	in	3
Filtration surface area	cm ²	1,852	in ²	287
Filtration volume	cm ³	1,774	in ³	108
Pressure rating	bar	10	psi	145
Max. temp.	0C	70	0F	158

Maximum Filtration Flow Rate / Water Quality

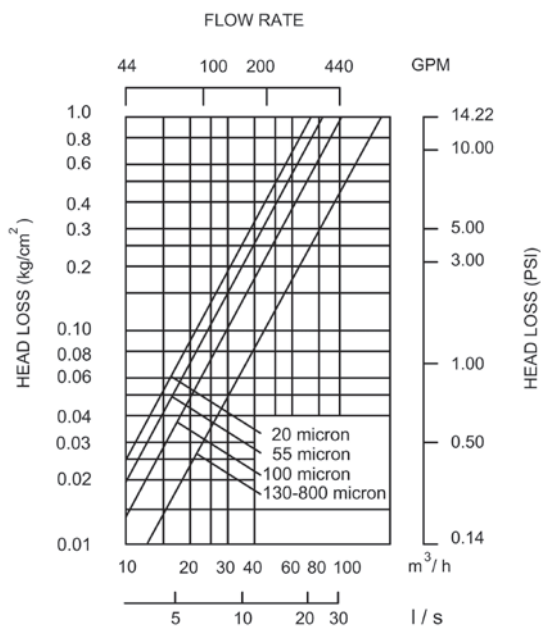
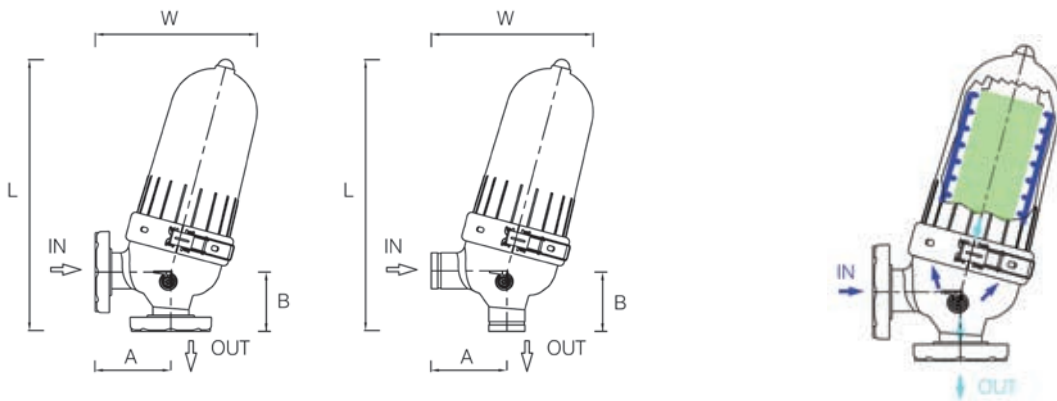
Filtration Grade	Water Quality	m ³ /h	gpm
400-130 μ	Good	60	264
	Average	50	220
100 μ	Good	50	220
	Average	40	176
55 μ	Good	35	154
	Average	24	106
20 μ	Good	18	79
	Average	12	53

3" Super Angle

Manual Disc Filter

Dimensions and Weights

D Inlet/Outlet diameter	mm	90	inch	3
L Length	mm	700	inch	27 ⁹ / ₁₆
W Width	mm	400	inch	15 ³ / ₄
A	mm	185	inch	7 ⁹ / ₃₂
B	mm	145	inch	5 ²³ / ₃₂
Shipping weight (approx.)	kg	11.47	lbs	25.3



3" Super Angle Filter
is available in:
Polypropylene.

4" Super Angle Manual Disc Filter

Features

- High flow capacity
- Durable filter element
- Corrosion free
- All Plastic
- Precise disc filtration

Manual Filters



Technical Data

	METRIC		US	
Connection diameter	mm	110	in	4
Filtration surface area	cm ²	1,852	in ²	287
Filtration volume	cm ³	1,774	in ³	108
Pressure rating	bar	10	psi	145
Max. temp.	0C	70	0F	158

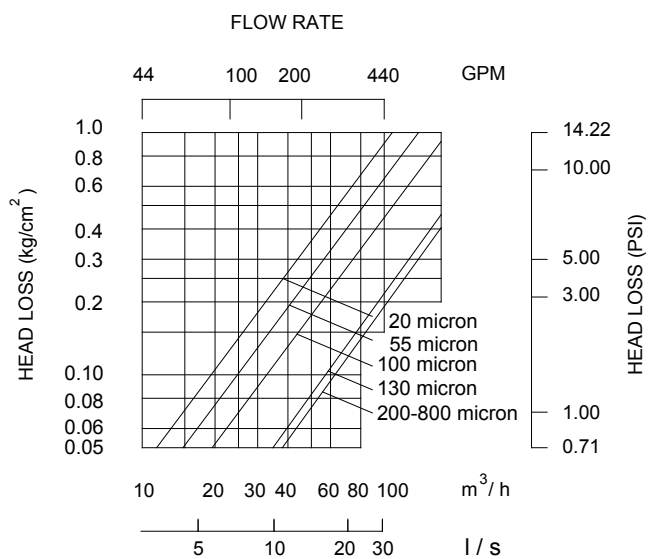
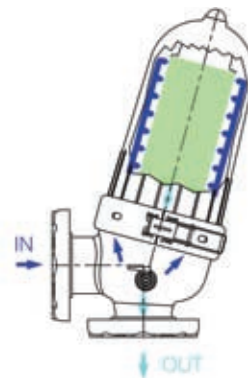
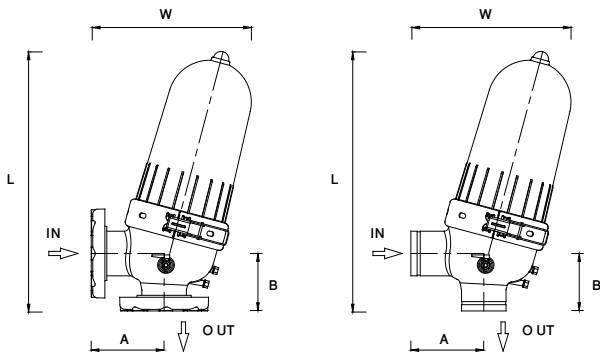
Maximum Filtration Flow Rate / Water Quality

Filtration Grade	Water Quality	m ³ /h	gpm
400-130 μ	Good	90	396
	Average	60	264
100 μ	Good	50	220
	Average	40	176
55 μ	Good	35	154
	Average	24	106
20 μ	Good	18	79
	Average	12	53

4" Super Angle Manual Disc Filter

Dimensions and Weights

D Inlet/Outlet diameter	mm	110	inch	4
L Length	mm	700	inch	27 ⁹ / ₁₆
W Width	mm	400	inch	15 ³ / ₄
A	mm	185	inch	7 ⁹ / ₃₂
B	mm	145	inch	5 ²³ / ₃₂
Shipping weight (approx.)	kg	13.16	lbs	29



4" SuperAngle Filter
is available in:
Polypropylene.

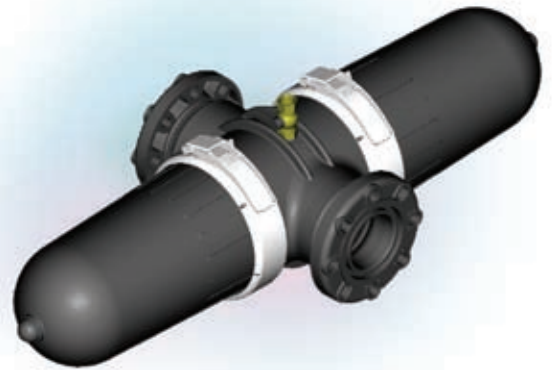
4" Super Leader

Manual Disc Filter

Features

- High flow capacity
- Durable filter element
- Corrosion free
- All Polypropylene
- Precise disc filtration

Manual Filters



Technical Data

	METRIC		US	
	mm		in	
Connection diameter	mm	110	in	4
Filtration surface area	cm ²	3,704	in ²	576
Filtration volume	cm ³	3,548	in ³	216
Pressure rating	bar	10	psi	145
Max. temp.	°C	70	°F	158

Maximum Filtration Flow Rate / Water Quality

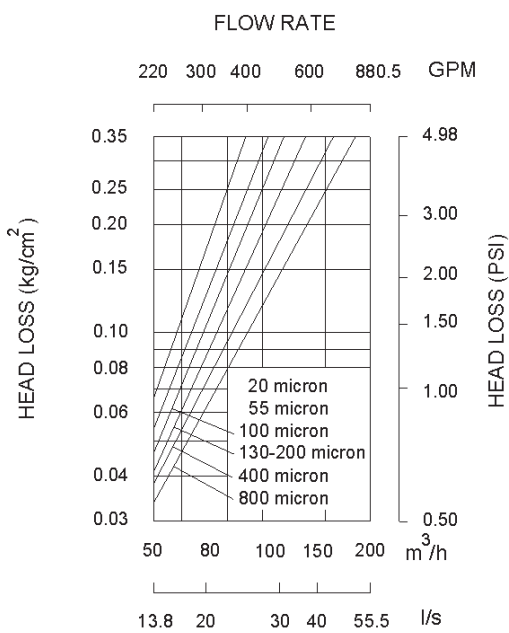
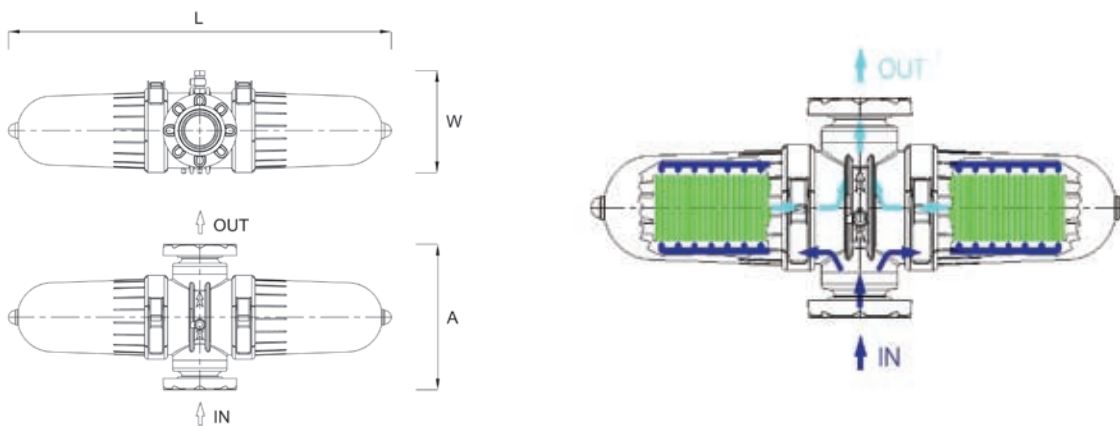
Filtration Grade	Water Quality	m ³ /h	gpm
400-130 µ	Good	110	484
	Average	77	339
55 µ	Good	60	264
	Average	42	185
20 µ	Good	38	167
	Average	26	114

4" Super Leader

Manual Disc Filter

Dimensions and Weights

D Inlet/Outlet diameter	mm	110	inch	4
L Length	mm	1188	inch	46 ²⁵ / ₃₂
W Width	mm	319	inch	12 ⁹ / ₁₆
A	mm	445	inch	17 ¹ / ₂
Shipping weight (approx.)	kg	28.8	lbs	63.5



4" Super Leader Filter is available in:
Polypropylene.

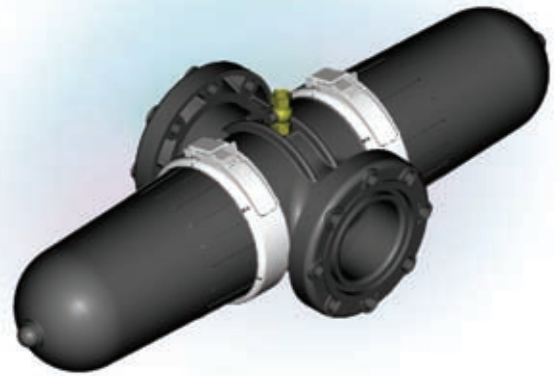
6" Super Leader

Manual Disc Filter

Features

- High flow capacity
- Durable filter element
- Corrosion free
- All Polypropylene
- Precise disc filtration

Manual Filters



Technical Data

	METRIC		US	
	mm		in	
Connection diameter	mm	160	in	6
Filtration surface area	cm ²	3,704	in ²	574
Filtration volume	cm ³	3,548	in ³	216
Pressure rating	bar	10	psi	145
Max. temp.	°C	70	°F	158

Maximum Filtration Flow Rate / Water Quality

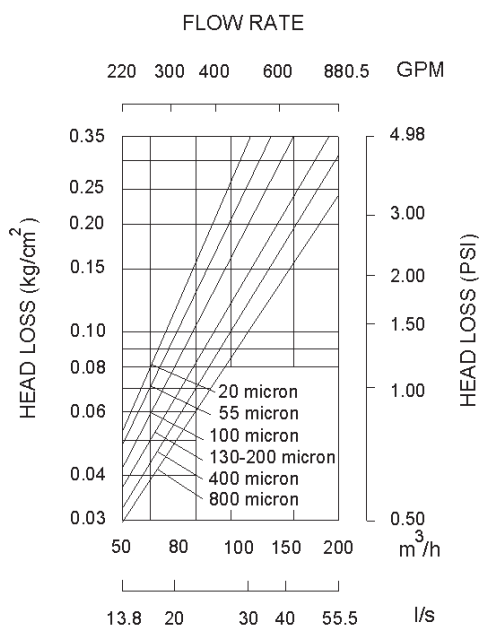
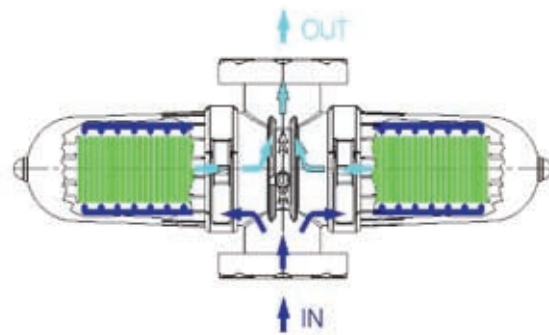
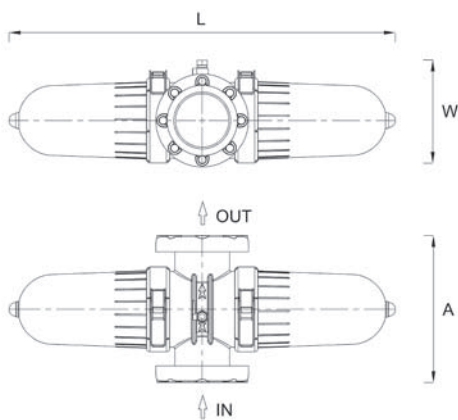
Filtration Grade	Water Quality	m ³ /h	gpm
400-130 μ	Good	140	616
	Average	98	431
55 μ	Good	70	308
	Average	49	216
20 μ	Good	42	185
	Average	29	128

6" Super Leader

Manual Disc Filter

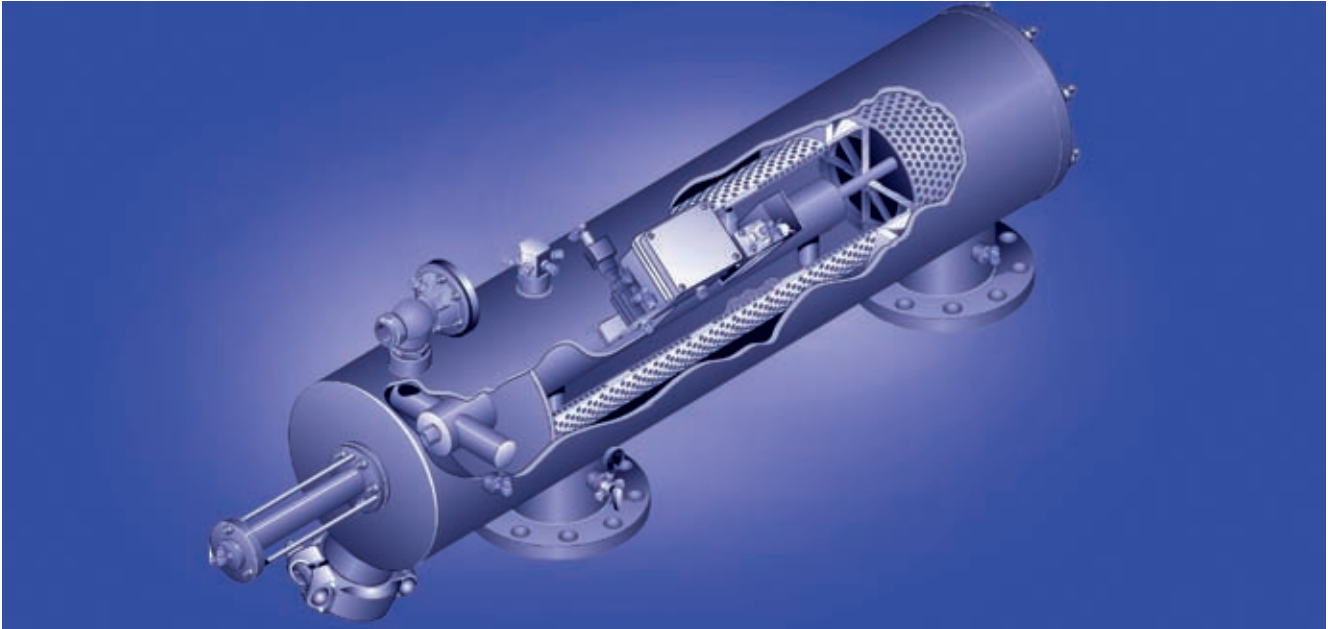
Dimensions and Weights

D Inlet/Outlet diameter	mm	160	inch	6
L Length	mm	1188	inch	46 ⁷ / ₃₂
W Width	mm	319	inch	12 ⁹ / ₁₆
A	mm	415	inch	16 ¹¹ / ₃₂
Shipping weight (approx.)	kg	30.4	lbs	67

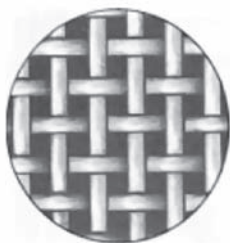


6" Super Leader Filter is available in:
Polypropylene.

Screen Filtration Technology



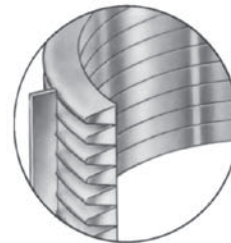
- Screen filters can be built in almost any size and are commercially available for a wide range of flow rates.
- Screens are made either of a woven mesh, perforated plates or a wedge wire construction.
- A screen filter is a surface filter with only one retention point for solids. While dirty water passes through the filter vessel from the inside to the outside of the screen, the larger particles are physically prevented from passing and are retained on the screen.



Woven Screen



Perforated Screen



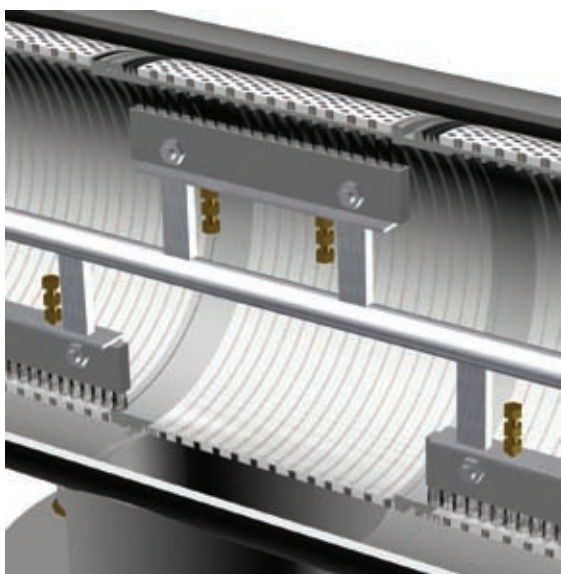
Wedge Wire Screen

Screen Filtration Technology

Screen sizes are available from 3000 to 20 micron.

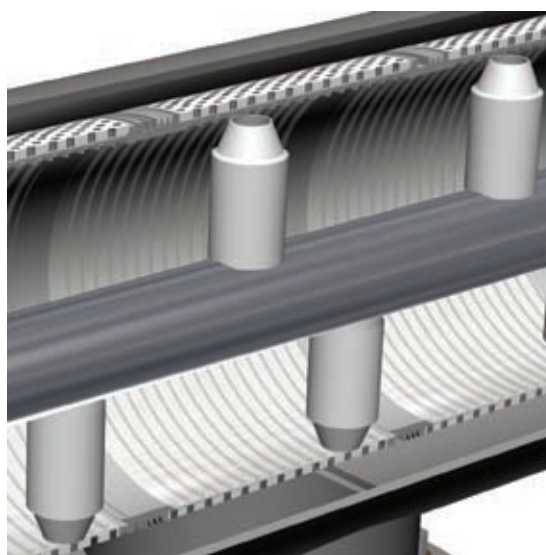
The effective filtration area of a screen filter can be quite high and the initial "clean" head loss is quite low. The PD however, can build up quickly, making an effective cleaning schedule essential. Screen filters can be cleaned manually or automatically, like all other types of filter.

Manual cleaning usually involves removing the filter element and hosing/brushing it clean. Automatic cleaning is activated automatically as the particles, trapped on the inside surface of the fine screen create a differential pressure buildup. A number of cleaning methods are available:



Rotating brush cleaning:

A brush rotates over the screen element dislodging the "filter cake" and a purge valve flushes the dirt out through a drain while the system is under pressure.



Vacuum scanner cleaning:

A rotating vacuum scanner lifts "filter cake" off the screen without actually making physical contact. The rotation and linear movement of the scanner allow it to reach every part of the screen in minimal time. This system can be very effective and does not damage the screen as a brush could.

B Series

Compact, self-flushing screen filter

Features

- Installed in angle position
- Supplied in 2" - 8" inlet / outlet connections
- Low backwash water consumption



Technical Data

Model		B-2	B-3	B-4	B-6	B-8		B-2	B-3	B-4	B-6	B-8
	METRIC						US					
Connection diameter	mm	50	90	110	160	225	inch	2	3	4	6	8
Screen area	cm ²	1100	1100	1630	4500	5780	inch ²	170	170	253	697	895
Flush flow rate at min. pressure	m ³ /h	6	6	6	20	20	gpm	26	26	26	88	88
Pressure range	bar	2-10					psi	29-145				
Max. temp.	°C	65					°F	149				
Control voltage		9 V DC or 220 V / 24 V AC						9 V DC or 110 V / 24 V AC				

Maximum Filtration Flow Rate / Water Quality

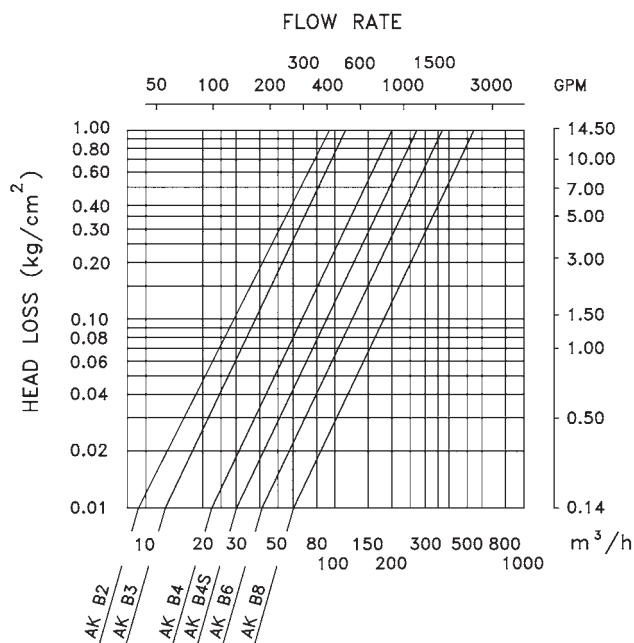
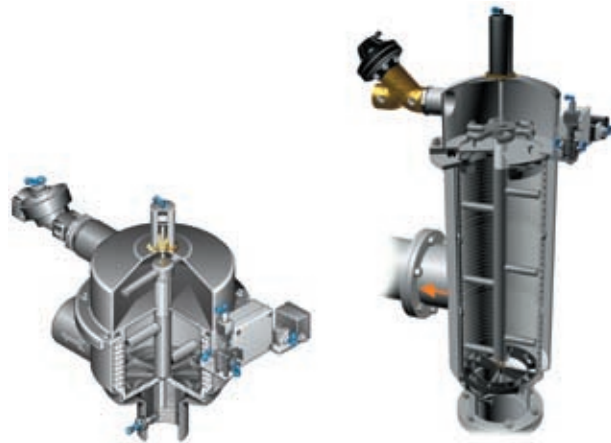
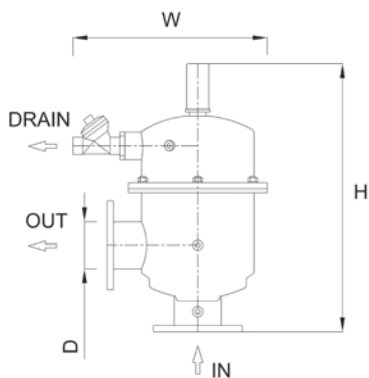
Model		B-2	B-3	B-4	B-6	B-8	B-2	B-3	B-4	B-6	B-8
Filtration Grade	Water Quality	m ³ /h					gpm				
400 μ	Good	25	40	80	130	200	110	176	352	572	880
	Average	25	40	80	130	200	110	176	352	572	880
	Poor	25	40	80	130	200	110	176	352	572	880
200 μ	Good	25	40	80	130	200	110	176	352	572	880
	Average	20	35	70	90	170	88	154	308	396	748
	Poor	15	25	40	70	130	66	110	176	308	572
150-100 μ	Good	25	40	80	130	200	110	176	352	572	880
	Average	15	25	40	70	150	66	110	176	308	660
	Poor	10	20	35	60	120	44	88	154	264	528
80-50 μ	Good	10	20	35	60	120	44	88	154	264	528
	Average	8	18	25	50	90	35	79	110	220	396
	Poor	6	15	20	40	60	26	66	88	176	264

B Series

Compact, self-flushing screen filter

Dimensions and Weights

Model		B-2	B-3	B-4	B-6	B-8		B-2	B-3	B-4	B-6	B-8
D	mm	50	80	100	165	225	inch	2	3	4	6	8
H	mm	480	495	650	1150	1230	inch	19	19	26	45	48
W	mm	471.5	471.5	471.5	459	470	inch	19	19	19	18	18.5
Approximate shipping weight	kg	24	25	28	76	130	lbs	53	55	61	167	286



B filtration units can be supplied in:
Polyester coated steel or
Stainless steel

B Series

Compact, self-flushing screen filter

Features

- Installed in angle position
- Supplied in 2" - 8" inlet / outlet connections
- Low backwash water consumption



Technical Data

Model		B-2	B-3	B-4	B-6	B-8		B-2	B-3	B-4	B-6	B-8
	METRIC						US					
Connection diameter	mm	50	90	110	160	225	inch	2	3	4	6	8
Screen area	cm ²	1100	1100	1630	4500	5780	inch ²	170	170	253	697	895
Flush flow rate at min. pressure	m ³ /h	6	6	6	20	20	gpm	26	26	26	88	88
Pressure range	bar	2-10					psi	29-145				
Max. temp.	°C	65					°F	149				
Control voltage		9 V DC or 220 V/ 24 V AC						9 V DC or 110 V/ 24 V AC				

Maximum Filtration Flow Rate / Water Quality

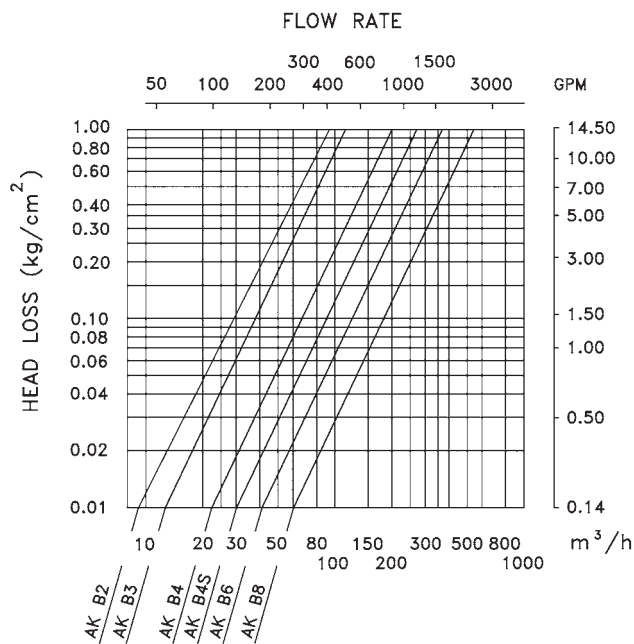
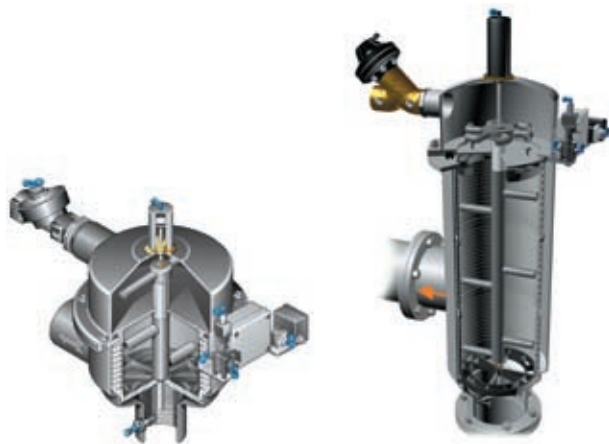
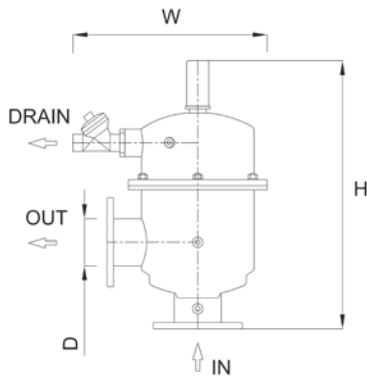
Model		B-2	B-3	B-4	B-6	B-8	B-2	B-3	B-4	B-6	B-8
Filtration Grade	Water Quality	m ³ /h					gpm				
400 μ	Good	25	40	80	130	200	110	176	352	572	880
	Average	25	40	80	130	200	110	176	352	572	880
	Poor	25	40	80	130	200	110	176	352	572	880
200 μ	Good	25	40	80	130	200	110	176	352	572	880
	Average	20	35	70	90	170	88	154	308	396	748
	Poor	15	25	40	70	130	66	110	176	308	572
150-100 μ	Good	25	40	80	130	200	110	176	352	572	880
	Average	15	25	40	70	150	66	110	176	308	660
	Poor	10	20	35	60	120	44	88	154	264	528
80-50 μ	Good	10	20	35	60	120	44	88	154	264	528
	Average	8	18	25	50	90	35	79	110	220	396
	Poor	6	15	20	40	60	26	66	88	176	264

B Series

Compact, self-flushing screen filter

Dimensions and Weights

Model		B-2	B-3	B-4	B-6	B-8		B-2	B-3	B-4	B-6	B-8
D	mm	50	80	100	165	225	inch	2	3	4	6	8
H	mm	480	495	650	1150	1230	inch	19	19	26	45	48
W	mm	471.5	471.5	471.5	459	470	inch	19	19	19	18	18.5
Approximate shipping weight	kg	24	25	28	76	130	lbs	53	55	61	167	286



B filtration units can be supplied in:
Polyester coated steel or
Stainless steel

BE Series

Self cleaning electric screen filter with piston operated scanner

Features

- Installed in angle position
- Supplied in 2" - 8" inlet / outlet connections
- Low backwash water consumption



Technical Data

Model		B-2	B-3	B-4	B-6	B-8		B-2	B-3	B-4	B-6	B-8
	METRIC						US					
Connection diameter	mm	50	90	110	160	225	inch	2	3	4	6	8
Screen area	cm ²	1100	1100	1630	4120	5240	inch ²	170	170	253	639	812
Flush flow rate at min. pressure	m ³ /h	6	6	6	20	20	gpm	26	26	26	88	88
Pressure range	bar	1 - 10					psi	14.5 - 145				
Max. temp.	°C	65					°F	149				
Control voltage		380 V AC / 24 V AC						480 V AC / 24 V AC				

Maximum Filtration Flow Rate / Water Quality

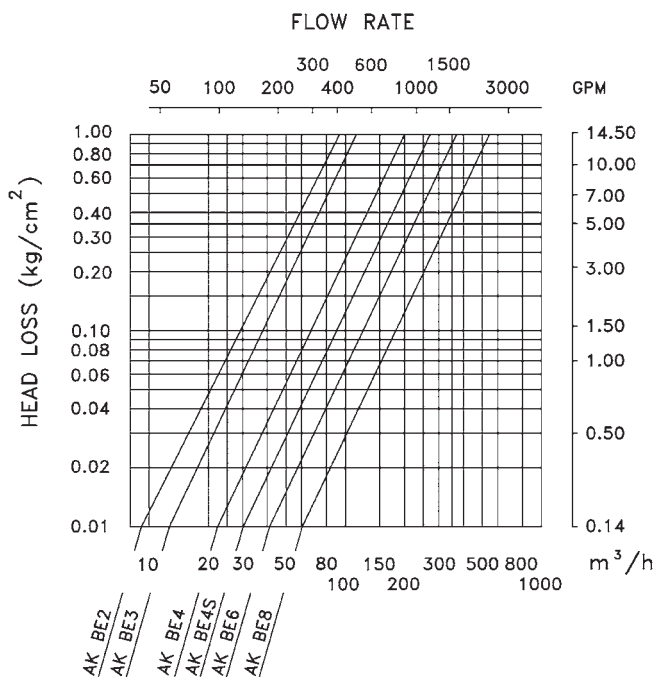
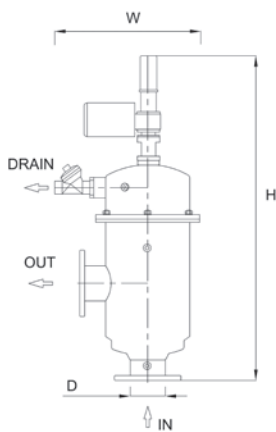
Model		B-2	B-3	B-4	B-6	B-8	B-2	B-3	B-4	B-6	B-8
Filtration Grade	Water Quality	m ³ /h					gpm				
400 μ	Good	25	40	80	100	200	110	176	352	440	880
	Average	25	40	80	100	200	110	176	352	440	880
	Poor	25	40	80	100	200	110	176	352	440	880
200 μ	Good	25	40	80	100	200	110	176	352	440	880
	Average	20	35	70	90	170	88	154	308	396	748
	Poor	15	25	40	70	130	66	110	176	308	572
150-100 μ	Good	25	40	80	130	200	110	176	352	572	880
	Average	15	25	40	70	150	66	110	176	308	660
	Poor	10	20	35	60	120	44	88	154	264	528
80-50 μ	Good	10	20	35	60	120	44	88	154	264	528
	Average	8	18	25	50	90	35	79	110	220	396
	Poor	6	15	20	40	60	26	66	88	176	264

BE Series

Self cleaning electric screen filter with piston operated scanner

Dimensions and Weights

Model		B-2	B-3	B-4	B-6	B-8		B-2	B-3	B-4	B-6	B-8
D	mm	50	90	110	160	225	inch	2	3	4	6	8
H	mm	745	760	878	1250	1622	inch	29	30	35	49	64
W	mm	472	472	472	472	472	inch	19	19	19	19	19
Approximate shipping weight	kg	47	48	51	93	153	lbs	103	105	112	205	337



BE filtration units can be supplied in:
Polyester coated carbon steel or
Stainless steel

H Series

Hydraulic operated self cleaning screen filter

Features

- Installed in line or parallel
- Supplied in 3"- 16" inlet / outlet diameter
- Low backwash water



Technical Data

Model	LP	H-3	H-4	H-6	H-8	H-10	H-12	H-14	H-16	LP	H-3	H-4	H-6	H-8	H-10	H-12	H-14	H-16		
	METRIC									US										
Connection diameter	mm	90	110	160	225	280	315	355	400	inch	3	4	6	8	10	12	14	16		
Screen area	cm ²	3220	5780	5780	8410	8410	11710	12990	12990	inch ²	499	896	896	1304	1304	1816	2014	2014		
Flush flow rate at min. pressure	m ³ /h	30	30	30	30	60	90	90	90	gpm	132	132	132	132	264	369	369	369		
Pressure range	bar	2-10									psi	29-145								
Max. temp.	0 C	65									0 F	149								
Control voltage		9 V DC or 220 W / 24 V AC										9 V DC or 110 W / 24 V AC								

Maximum Filtration Flow Rate / Water Quality

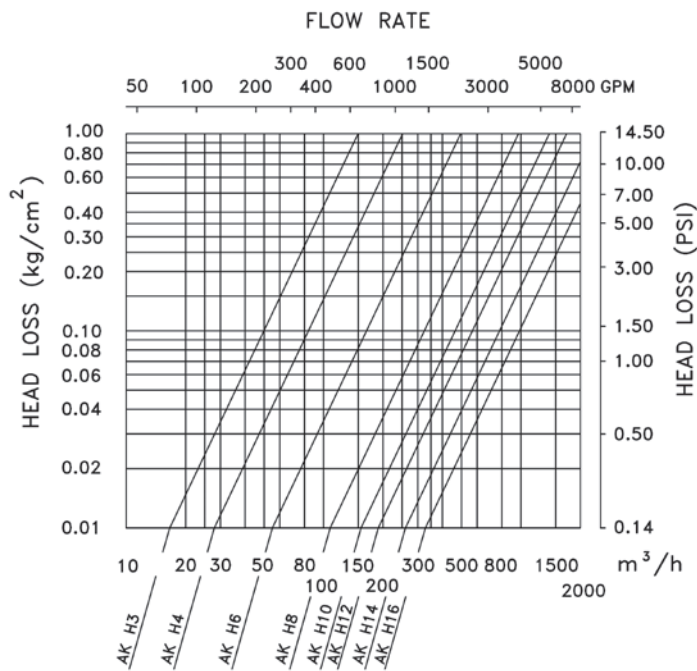
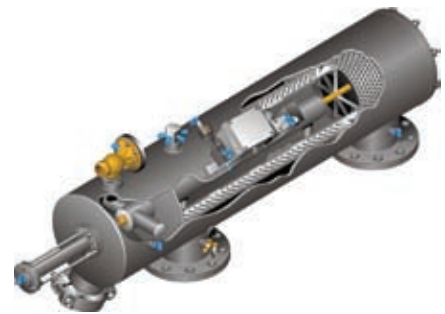
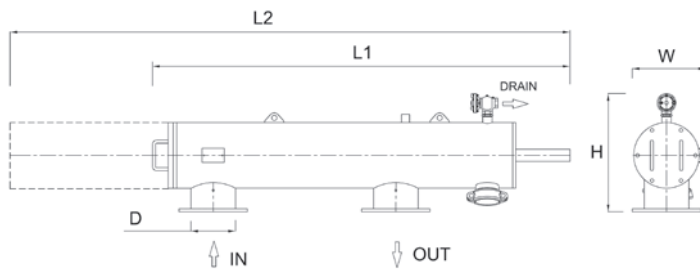
Model		H-3	H-4	H-6	H-8	H-10	H-12	H-14	H-16	H-3	H-4	H-6	H-8	H-10	H-12	H-14	H-16	
Filtration Grade	Water Quality	m ³ /h									gpm							
400 μ	Good	50	100	150	300	400	600	900	1100	220	440	660	1321	1760	2640	3960	4840	
	Average	50	100	150	300	400	600	900	1100	220	440	660	1321	1760	2640	3960	4840	
	Poor	50	100	150	300	400	600	900	1100	220	440	660	1321	1760	2640	3960	4840	
200 μ	Good	50	100	150	300	400	600	900	1100	220	440	660	1321	1760	2640	3960	4840	
	Average	30	60	90	180	240	360	540	660	132	264	396	793	1056	1584	2376	2904	
	Poor	29	56	85	150	225	338	506	619	128	246	374	660	990	1487	2226	2724	
150-100 μ	Good	50	100	150	300	400	600	900	1100	220	440	660	1321	1760	1487	3960	4840	
	Average	23	45	68	145	180	270	405	495	101	198	299	638	792	1188	1782	2178	
	Poor	22	42	64	130	169	254	380	464	97	185	282	572	744	1118	1672	2042	
80-50 μ	Good	22	42	64	130	169	254	380	464	97	185	282	572	744	1118	1672	2042	
	Average	18	34	51	90	135	203	304	371	79	150	224	396	594	893	1338	1632	
	Poor	14	27	41	75	108	162	243	297	62	119	180	330	475	713	1069	1307	

H Series

Hydraulic operated self cleaning screen filter

Dimensions and Weights

Model		H-3	H-4	H-6	H-8	H-10	H-12	H-14	H-16		H-3	H-4	H-6	H-8	H-10	H-12	H-14	H-16
D	mm	90	110	160	200	280	315	355	400	inch	3	4	6	8	10	12	14	16
L1	mm	1400	1800	1870	2460	2460	2990	2990	2990	inch	55	70	74	97	97	118	118	118
L2	mm	1750	2500	2570	3560	3560	5200	5200	5200	inch	69	98	101	140	140	205	205	205
H	mm	580	580	640	640	670	720	770	770	inch	23	23	25	25	26	28	30	30
W	mm	330	330	356	362	413	611	639	639	inch	13	13	14	14	17	24	25	25
Approximate shipping weight	kg	85	110	130	140	200	350	420	450	lbs	187	242	286	308	440	771	925	990



H filtration units can be supplied in:
Polyester coated steel or
Stainless steel.

E Series

Self cleaning electric screen filter with piston operated scanner

Features

- Installed in parallel position
- Supplied in 3"- 16" inlet / outlet connections
- Low backwash water consumption



Technical Data

Model		E-3	E-4	E-6	E-8	E-10	E-12	E-14	E-16		E-3	E-4	E-6	E-8	E-10	E-12	E-14	E-16
	METRIC									US								
Connection diameter	mm	90	110	160	225	280	315	355	410	inch	3	4	6	8	10	12	14	16
Screen area	cm ²	3220	5780	5780	5780	8410	11710	12990	12990	inch ²	500	896	896	896	1304	1816	2014	2014
Flush flow rate at min. pressure	m ³ /h	25								gpm	110							
Pressure range	bar	1 - 10								psi	14.5 - 145							
Max. temp.	°C	65								°F	149							
Control voltage		380 V AC / 24 V AC									480 V AC / 24 V AC							

Maximum Filtration Flow Rate / Water Quality

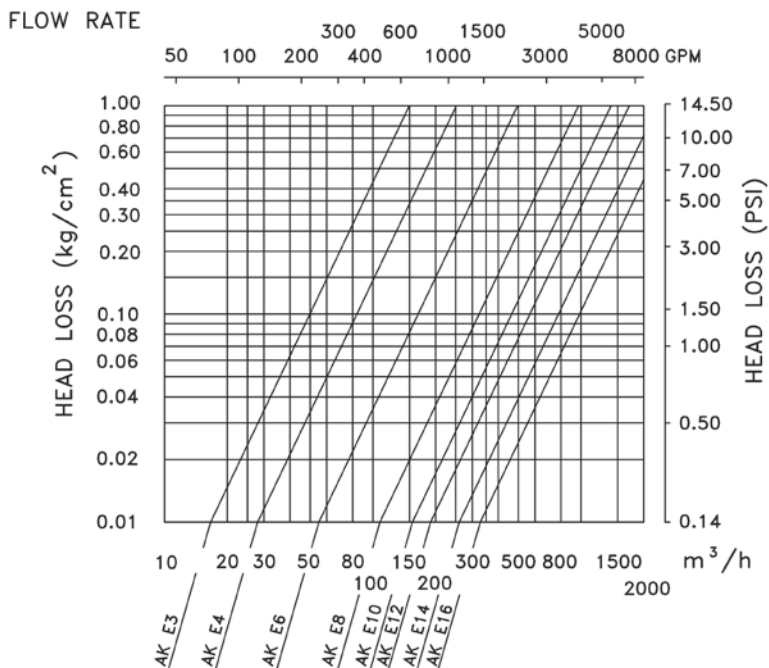
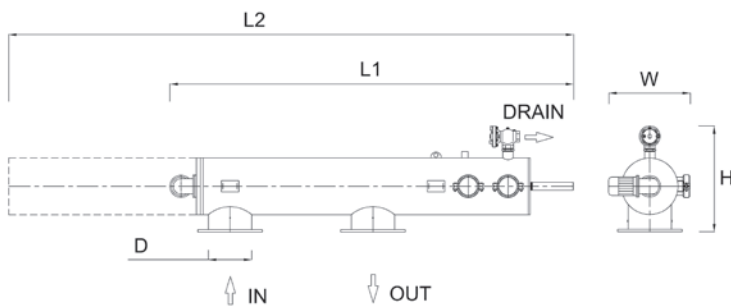
Model		E-3	E-4	E-6	E-8	E-10	E-12	E-14	E-16	E-3	E-4	E-6	E-8	E-10	E-12	E-14	E-16
Filtration Grade	Water Quality	m ³ /h								gpm							
400 μ	Good	50	100	150	300	400	600	900	1100	220	440	660	1321	1760	2640	3960	4840
	Average	50	100	150	300	400	600	900	1100	220	440	660	1321	1760	2640	3960	4840
	Poor	50	100	150	300	400	600	900	1100	220	440	660	1321	1760	2640	3960	4840
200 μ	Good	50	100	150	300	400	600	900	1100	220	440	660	1321	1760	2640	3960	4840
	Average	30	60	90	180	240	360	540	660	132	264	396	793	1056	1584	2376	2904
	Poor	29	56	85	150	225	338	506	619	128	246	374	660	990	1487	2226	2724
150-100 μ	Good	50	100	150	300	400	600	900	1100	220	440	660	1321	1760	2640	3960	4840
	Average	23	45	68	145	180	270	405	495	101	198	299	638	792	1188	1782	2178
	Poor	22	42	64	130	169	254	380	464	97	185	282	572	744	1118	1672	2042
80-50 μ	Good	22	42	64	130	169	254	380	464	97	185	282	572	744	1118	1672	2042
	Average	18	34	51	90	135	203	304	371	79	150	224	396	594	893	1338	1632
	Poor	14	27	41	75	108	162	243	297	62	119	180	330	475	713	1069	1307

E Series

Self cleaning electric screen filter with piston operated scanner

Dimensions and Weights

Model		E-3	E-4	E-6	E-8	E-10	E-12	E-14	E-16		E-3	E-4	E-6	E-8	E-10	E-12	E-14	E-16
D	mm	90	110	160	225	280	315	355	410	inch	3	4	6	8	10	12	14	16
L1	mm	1485	1880	2340	2540	2540	3070	3070	3070	inch	58	74	77	84	100	67	76	84
L2	mm	1745	2500	3355	3560	3555	5200	5200	5200	inch	69	98	105	109	140	86	114	130
H	mm	577	577	583	635	665	920	767	767	inch	23	23	25	25	26	36	36	36
W	mm	473	473	473	500	513	539	564	564	inch	19	19	19	20	20	21	23	23
Approximate shipping weight	kg	96	120	140	175	210	420	460	515	lbs	212	265	309	386	463	924	1014	1135



E filtration units can be supplied in:
Polyester coated carbon steel or
Stainless steel

SE Series

Self-flushing screen filter with gear operated scanner

Features

- Installed in parallel position
- Supplied in 3"- 16" inlet / outlet connections
- Low backwash water consumption



Technical Data

Model		SE-3	SE-4	SE-6	SE-8	SE-10	SE-12	SE-14	SE-16		SE-3	SE-4	SE-6	SE-8	SE-10	SE-12	SE-14	SE-16
	METRIC									US								
Connection diameter	mm	90	110	160	225	280	315	355	410	inch	3	4	6	8	10	12	14	16
Screen area	cm ²	3220	4500	6330	7030	8970	10920	11760	14310	inch ²	499	698	981	1090	1391	1693	1823	2218
Flush flow rate at min. pressure	m ³ /h	25								gpm	100							
Pressure range	bar	1 - 10								psi	14.5 - 145							
Max. temp.	°C	65								°F	149							
Control voltage		380 V AC / 24 V AC									480 V AC / 24 V AC							

Maximum Filtration Flow Rate / Water Quality

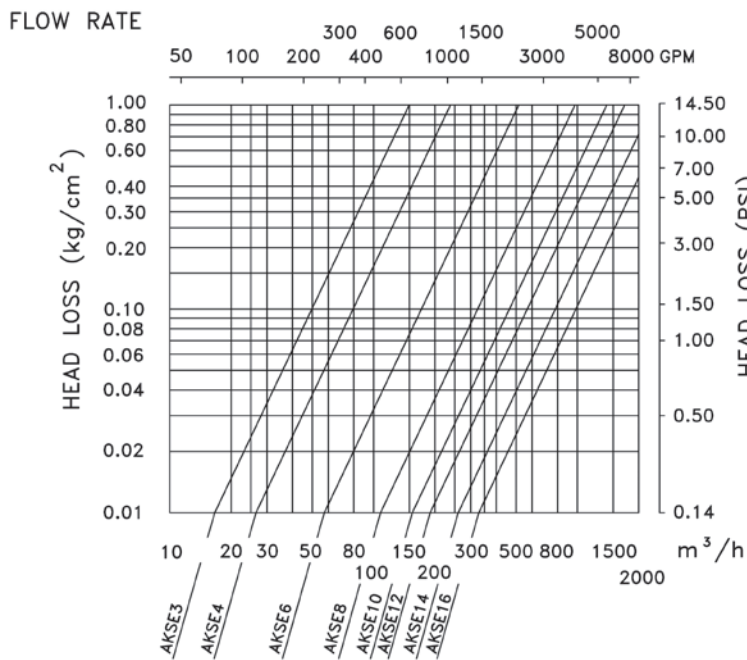
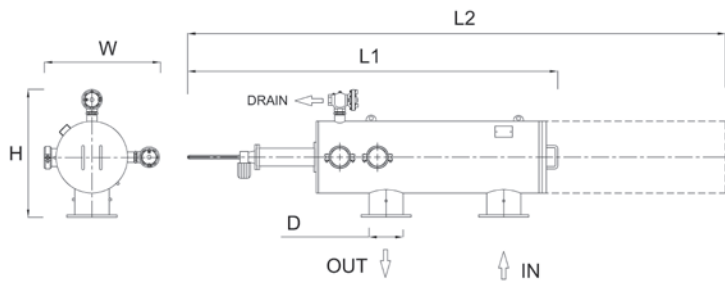
Model		SE-3	SE-4	SE-6	SE-8	SE-10	SE-12	SE-14	SE-16	SE-3	SE-4	SE-6	SE-8	SE-10	SE-12	SE-14	SE-16
Filtration Grade	Water Quality	m ³ /h								gpm							
400 μ	Good	50	100	150	300	400	600	900	1100	220	440	660	1321	1760	2640	3960	4840
	Average	50	100	150	300	400	600	900	1100	220	440	660	1321	1760	2640	3960	4840
	Poor	50	100	150	300	400	600	900	1100	220	440	660	1321	1760	2640	3960	4840
200 μ	Good	50	100	150	300	400	600	900	1100	220	440	660	1321	1760	2640	3960	4840
	Average	30	60	90	180	240	360	540	660	132	264	396	793	1056	1584	2376	2904
	Poor	29	56	85	150	225	338	506	619	128	246	374	660	990	1487	2226	2724
150-100 μ	Good	50	100	150	300	400	600	900	1100	220	440	660	1321	1760	2640	3960	4840
	Average	23	45	68	145	180	270	405	495	101	198	299	638	792	1188	1782	2178
	Poor	22	42	64	130	169	254	380	464	97	185	282	572	744	1118	1672	2042
80-50 μ	Good	22	42	64	130	169	254	380	464	97	185	282	572	744	1118	1672	2042
	Average	18	34	51	90	135	203	304	371	79	150	224	396	594	893	1338	1632
	Poor	14	27	41	75	108	162	243	297	62	119	180	330	475	713	1069	1307

SE Series

Self-flushing screen filter with gear operated scanner

Dimensions and Weights

Model		SE-3	SE-4	SE-6	SE-8	SE-10	SE-12	SE-14	SE-16		SE-3	SE-4	SE-6	SE-8	SE-10	SE-12	SE-14	SE-16
D	mm	90	110	160	225	280	315	355	400	inch	3	4	6	8	10	12	14	16
L1	mm	1955	2150	2360	2360	2620	2990	2620	2990	inch	77	85	93	93	103	118	103	118
L2	mm	2295	2647	3430	3430	3812	4680	3950	4680	inch	90	104	135	135	160	184	156	184
H	mm	685	680	760	811	810	810	960	960	inch	25	27	30	32	32	32	38	38
W	mm	550	600	682	733	733	733	886	886	inch	22	24	27	29	29	29	35	35
Approximate shipping weight	kg	125	145	245	320	350	390	420	630	lbs	275	319	539	704	770	858	924	1386



SE filtration units can be supplied in:
Polyester coated steel or
Stainless steel.

SA Series

Semi Automatic Screen Filter

Features

- Installed in angle position
- Supplied in 4"- 14" inlet / outlet connections
- Low backwash water consumption



Technical Data

Model		SA-4	SA-6	SA-8	SA-10		SA-4	SA-6	SA-8	SA-10
	METRIC					US				
Connection diameter	mm	110	160	225	280	inch	4	6	8	10
Screen area	cm ²	3220	4300	5785	8600	inch ²	499	666	897	1333
Flush flow rate at min. pressure	m ³ /h	40				gpm	176			
Pressure range	bar	1 - 10				psi	14.5 - 145			
Max. temp.	0 C	65				0 F	149			

Maximum Filtration Flow Rate / Water Quality

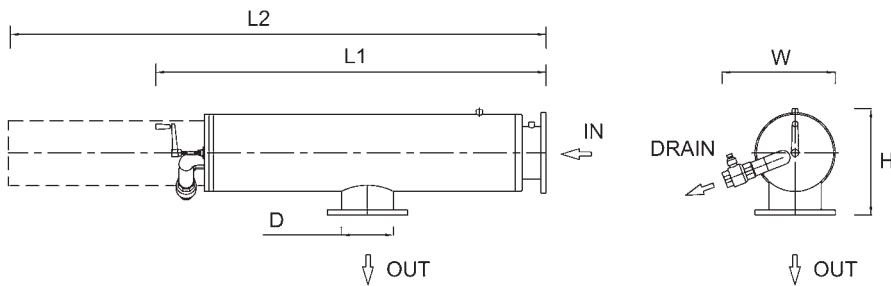
Model		SA-4	SA-6	SA-8	SA-10	SA-4	SA-6	SA-8	SA-10
Filtration Grade	Water Quality	m³/h				gpm			
400 μ	Good	80	160	300	500	352	704	1320	2200
	Average	80	160	300	500	352	704	1320	2200
	Poor	80	160	300	500	352	704	1320	2200
200 μ	Good	80	160	300	500	352	704	1320	2200
	Average	48	96	180	300	211	422	792	1320
	Poor	45	90	169	281	198	396	744	1236
150-100 μ	Good	80	160	300	500	352	704	1320	2200
	Average	36	72	135	225	158	317	594	990
	Poor	34	68	127	211	150	299	559	928
80-50 μ	Good	34	68	127	211	150	299	559	928
	Average	27	54	102	169	119	238	449	744
	Poor	22	43	82	135	97	189	361	594

SA Series

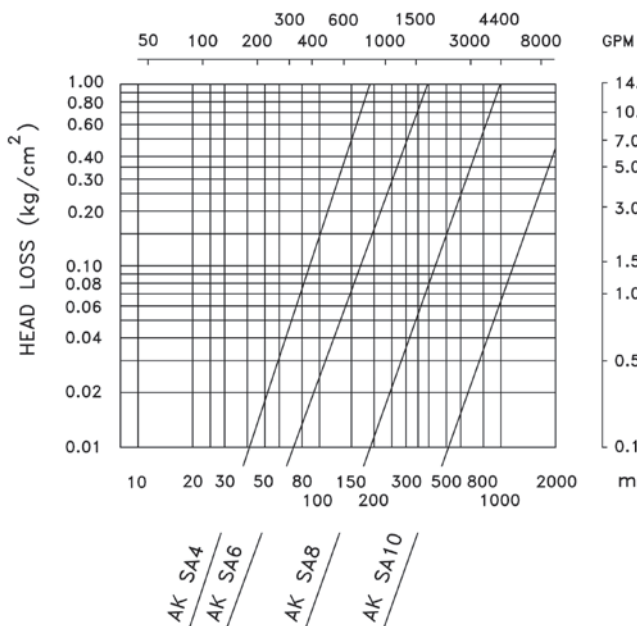
Semi Automatic Screen Filter

Dimensions and Weights

Model		SA-4	SA-6	SA-8	SA-10		SA-4	SA-6	SA-8	SA-10
D	mm	110	160	225	280	inch	4	6	8	10
L1	mm	960	1165	1361	1638	inch	38	46	54	64
L2	mm	1360	1765	2160	2960	inch	54	69	85	117
H	mm	400	400	400	524	inch	16	16	16	21
W	mm	469	469	466	476	inch	18	18	18	19
Approximate shipping weight	kg	69	79	90	110	lbs	152	174	198	242



FLOW RATE



SA filtration units can be supplied in:
Polyester coated carbon steel or
Stainless steel

SB Series

Semi Automatic Screen Filter With Brush

Features

- Installed in angle position
- Supplied in 4"- 14" inlet / outlet connections
- Low backwash water consumption



Technical Data

Model		SB-4	SB-6	SB-8		SB-4	SB-6	SB-8
		METRIC			US			
Connection diameter	mm	110	160	225	inch	4	6	8
Screen area	cm ²	3220	4300	5785	inch ²	499	666	897
Flush flow rate at min. pressure	m ³ /h	40			gpm	176		
Pressure range	bar	1 - 10			psi	14.5 - 145		
Max. temp.	°C	65			°F	149		

Maximum Filtration Flow Rate / Water Quality

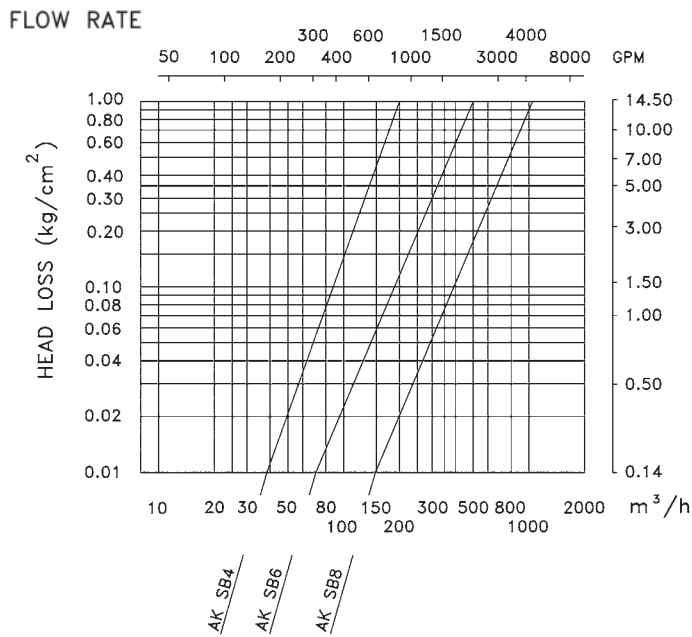
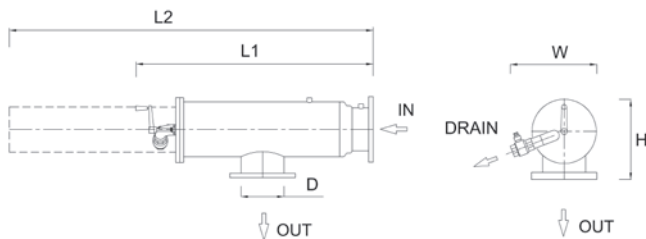
Model		SB-4	SB-6	SB-8	SB-4	SB-6	SB-8
Filtration Grade	Water Quality	m ³ /h			gpm		
400 μ	Good	80	160	300	352	704	1320
	Average	80	160	300	352	704	1320
	Poor	80	160	300	352	704	1320
200 μ	Good	80	160	300	352	704	1320
	Average	48	96	180	211	422	792
	Poor	45	90	169	198	396	744
150-100 μ	Good	80	160	300	352	704	1320
	Average	36	72	135	158	317	594
	Poor	29	58	108	128	255	475
80-50 μ	Good	29	58	108	128	255	475
	Average	27	54	102	119	238	449
	Poor	22	43	82	97	189	361

SB Series

Semi Automatic Screen Filter With Brush

Dimensions and Weights

Model		SB-4	SB-6	SB-8		SB-4	SB-6	SB-8
D	mm	110	160	225	inch	4	6	8
L1	mm	785	990	1185	inch	31	39	47
L2	mm	1015	1415	1810	inch	40	56	71
H	mm	400	400	400	inch	16	16	16
W	mm	469	469	466	inch	18	18	18
Approximate shipping weight	kg	69	79	90	lbs	152	174	198



SB filtration units can be supplied in:
Polyester coated carbon steel or
Stainless steel

EB Series

Electric Brush Self Cleaning Screen Filter

Features

- Installed in angle position
- Supplied in 4"- 16" inlet / outlet connections
- Low backwash water consumption



Technical Data

Model		EB-4	EB-6	EB-8	EB-10	EB-12	EB-14	EB-16		EB-4	EB-6	EB-8	EB-10	EB-12	EB-14	EB-16
	METRIC								US							
Connection diameter	mm	110	160	225	280	315	355	410	inch	4	6	8	10	12	14	16
Screen area	cm ²	3220	4300	6330	6330	8000	8000	11350	inch ²	499	667	981	981	1240	1240	1759
Flush flow rate at min. pressure	m ³ /h	30							gpm	132						
Pressure range	bar	1 - 10							psi	14.5 - 145						
Max. temp.	°C	65							°F	149						
Control voltage		380 V AC / 24 V AC								480 V AC / 24 V AC						

Maximum Filtration Flow Rate / Water Quality

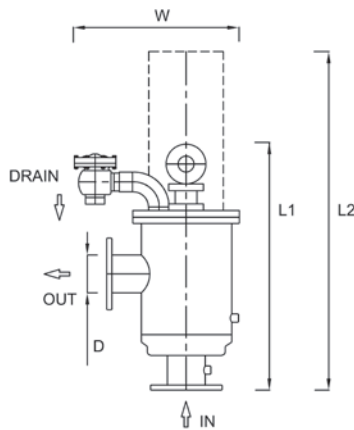
Model		EB-4	EB-6	EB-8	EB-10	EB-12	EB-14	EB-16	EB-4	EB-6	EB-8	EB-10	EB-12	EB-14	EB-16
Filtration Grade	Water Quality	m ³ /h							gpm						
400 μ	Good	100	160	300	450	650	900	1100	440	704	1364	1980	2860	4004	4840
	Average	100	160	300	450	650	900	1100	440	704	1364	1980	2860	4004	4840
	Poor	100	160	300	450	650	900	1100	440	704	1364	1980	2860	4004	4840
200 μ	Good	100	160	300	450	650	900	1100	440	704	1364	1980	2860	4004	4840
	Average	70	100	190	300	400	600	800	308	440	836	1320	1760	2640	3520
	Poor	60	80	170	250	350	500	700	264	352	748	1100	1540	2200	3080
150-100 μ	Good	100	160	300	450	650	900	1100	352	528	880	1320	1540	1760	3080
	Average	60	90	140	180	250	300	550	264	396	616	792	1100	1320	2420
	Poor	50	70	80	120	150	200	350	220	308	352	528	660	880	1540

EB Series

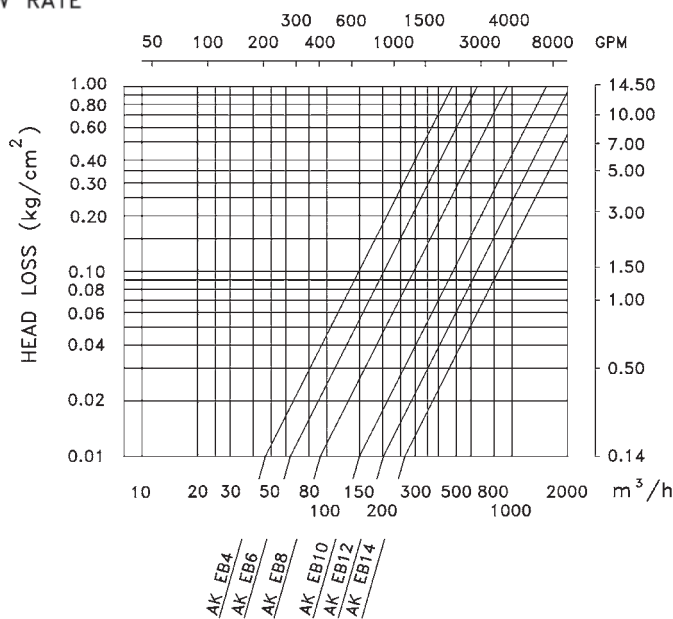
Electric Brush Self Cleaning Screen Filter

Dimensions and Weights

Model		EB-4	EB-6	EB-8	EB-10	EB-12	EB-14	EB-16		EB-4	EB-6	EB-8	EB-10	EB-12	EB-14	EB-16
D	mm	110	160	225	280	315	355	410	inch	4	6	8	10	12	14	16
L1	mm	740	939	890	1110	1320	1320	1350	inch	29	37	35	44	52	52	53
L2	mm	1020	1320	1160	1590	2020	2020	2080	inch	40	52	46	63	80	80	82
W	mm	498	498	717	717	716	716	992	inch	20	20	28	28	28	28	39
Approximate shipping weight	kg	72	88	106	196	212	240	410	lbs	158	194	233	431	466	528	902



FLOW RATE



EB filtration units can be supplied in:
Polyester coated carbon steel or
Stainless steel

Hydrocyclone

Sand Separator Technology



The Separation Process

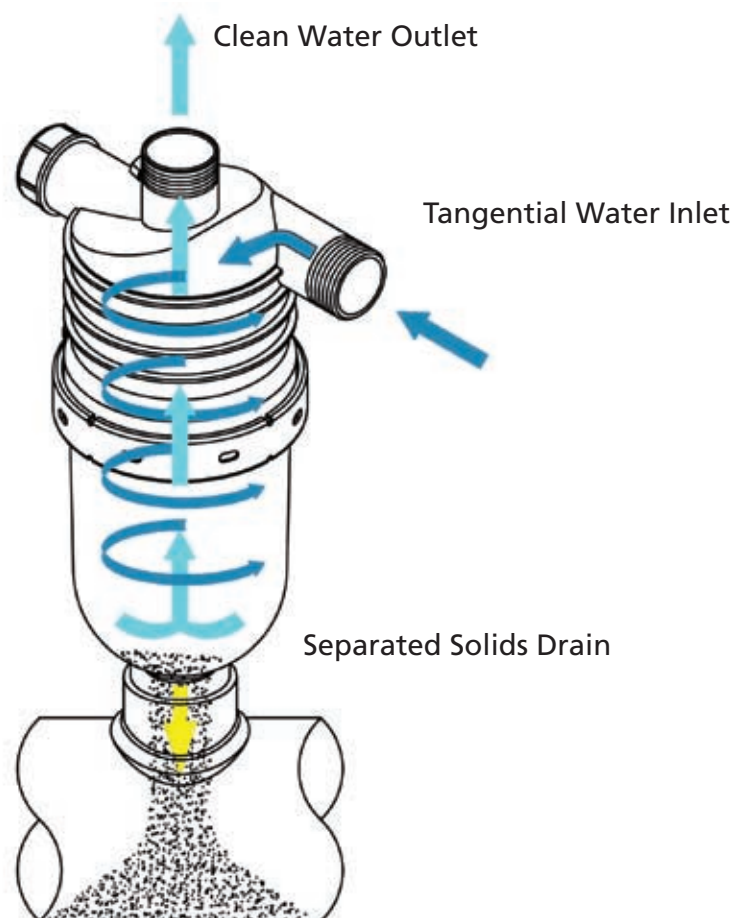
- The water stream enters the cyclone at a relatively high velocity via the inlet pipe, which is positioned, tangentially to the body of the cyclone.
- The shape of the cone creates a vortex of water.
- The resulting centrifugal force pushes the sand and other solids of a high specific gravity, out of the main flow stream.
- The low flow speed, next to the cyclone walls, cannot carry the heavy particles and allows them to drop by gravity to the collecting tank below, while the clean water rises up in a spiral motion to the outlet port.
- Evacuation of the dirt collected by the chamber is achieved by opening a control valve, normally activated by a controller usually triggered by time or set volume.

Hydrocyclone

Sand Separator Technology

- Hydrocyclones operate effectively and efficiently under a set flow rate. Constancy of flow rate and adaptability of design enhance efficiency further.
- When flushed regularly, cyclones require minimal maintenance.
- The Hydro-cyclone is a function specific product, designed for the removal of sand and therefore comprising an invaluable element in any total filtration system where sand is an issue.
- Although the Hydrocyclone will remove / separate any particles with a higher specific gravity (SG) than water (1g/cm^3 or 8.345 lb/ft^3), maximum benefits are gained with an optimal SG ratio of 1.4:1, where the sand SG is 40% greater than the water SG (i.e. 1.4g/cm^3 or 11.683 lb/ft^3).

Centrifugal Force
Separates The Solids
From The Water



2" Sand Separator

Hydro-Cyclone

Features

- High efficiency sand separation
- Long-term self-operated
- Minimal maintenance
- Corrosion free



Technical Data

	METRIC		US	
Connection diameter	mm	50	inch	2
Maximum Pressure	bar	10	psi	145
Maximum temp.	°C	70	°F	149

Maximum Filtration Flow Rate / Water Quality

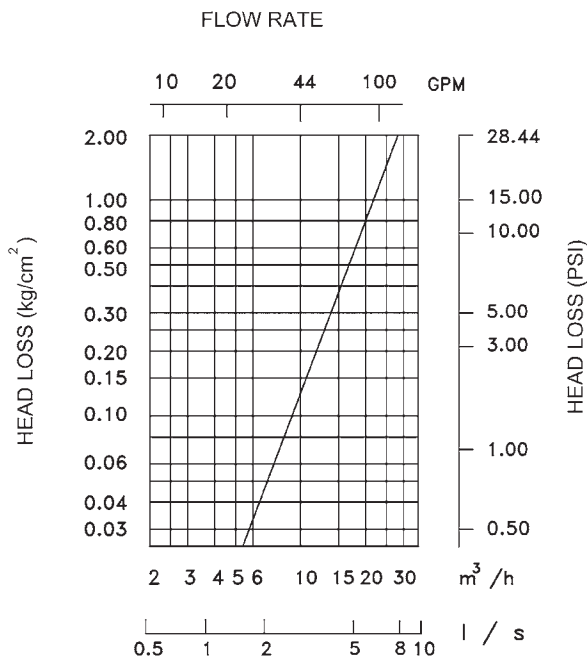
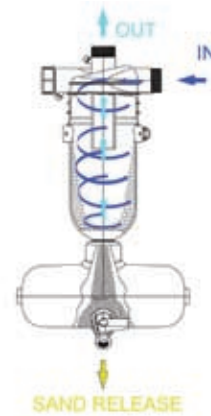
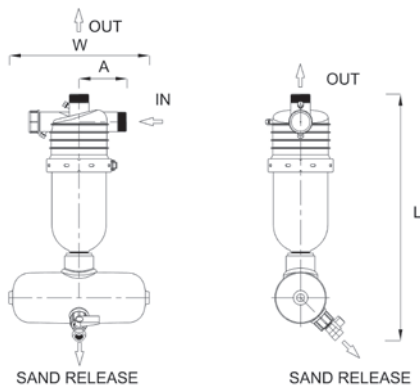
% Efficiency	Particle size larger than (micron):			m ³ /h	gpm
	150	100	50		
90	85	82		15	66
95	90	85		20	88
98	95	90		25	110

2" Sand Separator

Hydro-Cyclone

Dimensions and Weights

D-Inlet/Outlet diameter	mm	50	inch	2
L- Length	mm	755	inch	29 ²³ / ₃₂
W	mm	430	inch	16 ¹⁵ / ₁₆
A	mm	145	inch	5 ²³ / ₃₂
Approximate shipping weight	kg	7.8	lbs	17.2



2" Sand Separator can be supplied in:
Polyamide

Sand Separator Batteries

Hydro-Cyclone Batteries

Features

- High efficiency sand separation
- Long-term self-operated
- Minimal maintenance
- Corrosion free



Technical Data

Model		HYD-2	HYD-3	HYD-4	HYD-5		HYD-2	HYD-3	HYD-4	HYD-5
		METRIC				US				
Connection diameter	mm	110	110	160	160	inch	4	4	6	6
Maximum Pressure	bar	10				psi	145			
Maximum temp.	°C	70				°F	149			

Maximum Filtration Flow Rate / Water Quality

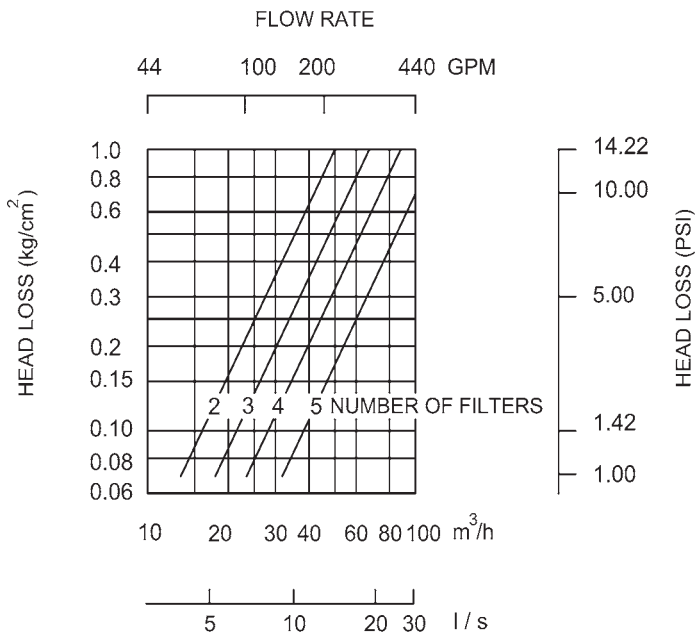
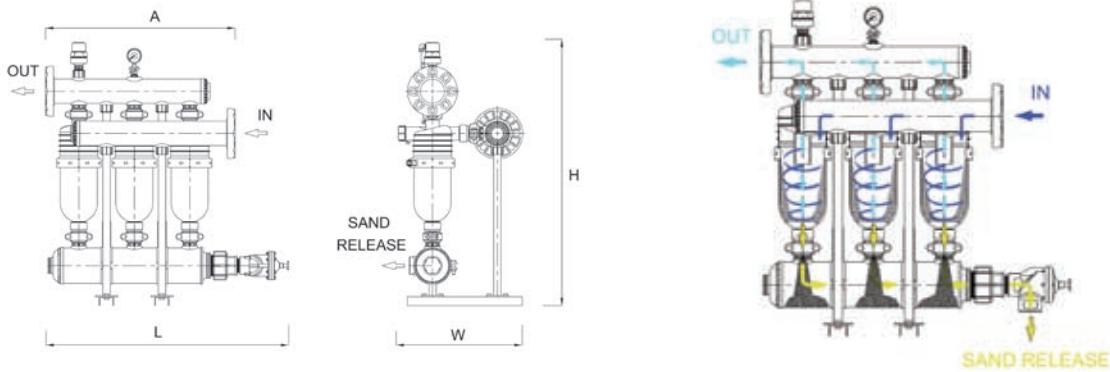
Model				HYD-2	HYD-3	HYD-4	HYD-5	HYD-2	HYD-3	HYD-4	HYD-5
% Efficiency	Particle size larger than (micron):			m³/h				gpm			
	150	100	50								
	90	85	82	30	45	60	75	132	198	264	330
	95	90	85	40	60	80	100	176	264	352	440
98	95	90	50	75	100	125	220	330	440	550	

Sand Separator Batteries

Hydro-Cyclone Batteries

Dimensions and Weights

Model		HYD-2	HYD-3	HYD-4	HYD-5		HYD-2	HYD-3	HYD-4	HYD-5
D-Inlet\Outlet diameter	mm	110	110	160	160	inch	4	4	6	6
L - Length	mm	829	1079	1160	1410	inch	33	42	46	56
H	mm	1198	1198	1200	1200	inch	47	47	47	47
A	mm	605	855	1105	1355	inch	24	34	44	53
W	mm	564	564	778	778	inch	22	22	31	31
Approximate shipping weight	kg	52	78	118	146	lbs	115	172	260	322



2" Sand Separator Batteries can be supplied in:
 Polyamide and Polypropylene manifolds

Sand Media Technology

AGF Filter - The Principle



- Sand Media filters operate by separating the suspended materials in unfiltered water as it flows through a bed of media in a pressurized tank.
- The recommended filter medias - crushed basalt, quartz sand or catalytic media, have many varying aperture sizes that cause the water to flow through a maze of passages on its way from the inlet to the outlet of the filter.

Sand Media Technology

AGF Filter - The Principle

Sand Media Technology

Due to the large volume and contact area between the water and the media/gravel particles, various physical forces are put into effect and act to retain the contaminating particles.

The efficiency of large particle retention is high as long as the gravel is kept clean.

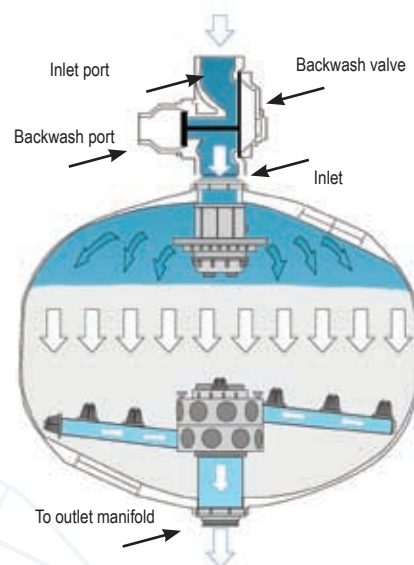
The catalytic media type applies an additional chemical-physical attraction between the media and particles - especially those of organic nature, giving more efficient organic material separation. In addition, the round shaped particles degrade more quickly and their cleaning requires less water in comparison with other media types.

Filtration Process

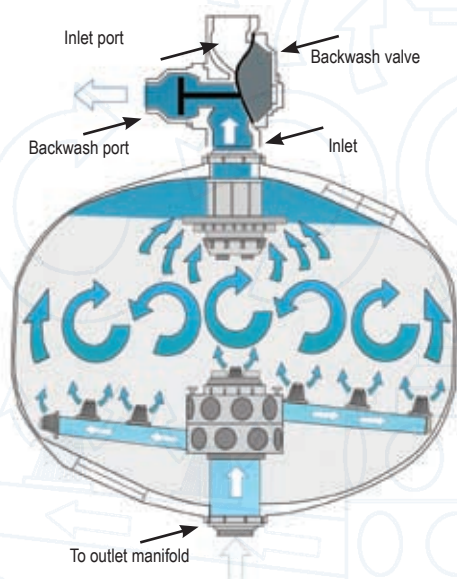
During the filtration process, unfiltered water enters the media filter system via the inlet manifold. It is cleaned by flowing through the media and discharged via the outlet manifold.

During filtration the inlet ports are open and the backwash ports are closed.

Water flows from the top, over the diffuser, down through the media layer to the outlet through the "mushrooms" located in the bottom part of the filter.



Backwash Process



During the backwash process the inlet port closes and the backwash port opens, allowing reverse water flow into the filter.

Clean pressurized water from the other filters now flows into the bottom of the filter, lifting the media and freeing the accumulated dirt and debris that is then flushed out through the backwash valve and into the backwash manifold.

If the backwash restriction valve is adjusted properly, the debris will be flushed out of the filter while the media, being of a higher Bulk Density than the debris will remain fluidized in the filter tank.

Only one filter at a time should backwash. The water that is being used to backwash one filter would have already passed through another filter or filters so that the backwash process is carried out with clean, filtered water.

AGF

All Plastic Media Filters

Features

- Corrosion free
- Special synthetic materials
- Unique under-drain "Mushroom" drainage system
- Two large access ports



Technical Data

	METRIC		US	
Connection diameter	mm	114	inch	4
Filtration surface area	m ²	1.16	ft ²	12.48
Minimum backwash pressure	bar	2	psi	28
Maximum pressure	bar	6	psi	85
Backwash flow rate	m ³ /h	40-60	gpm	176-264
Maximum temp.	°C	50	°F	122

Maximum Filtration Flow Rate / Water Quality

Filtration Grade	Water Quality	m ³ /h	gpm
Media: Basalt media grade 2			
100-80 µ	Good	68	300
	Average	51	220
	Poor	41	180
	Very Poor	33	145
Media: Quartz media grade 1			
50-20 µ	Good	18	79
	Average	16	70
	Poor	13	57
	Very Poor	10	44
Media: AFM Media gradient for absolute depth filtration. Advantage in high organic load in raw water			
20-10 µ	Good	22	97
	Average	19	79
	Poor	16	70
	Very Poor	13	57

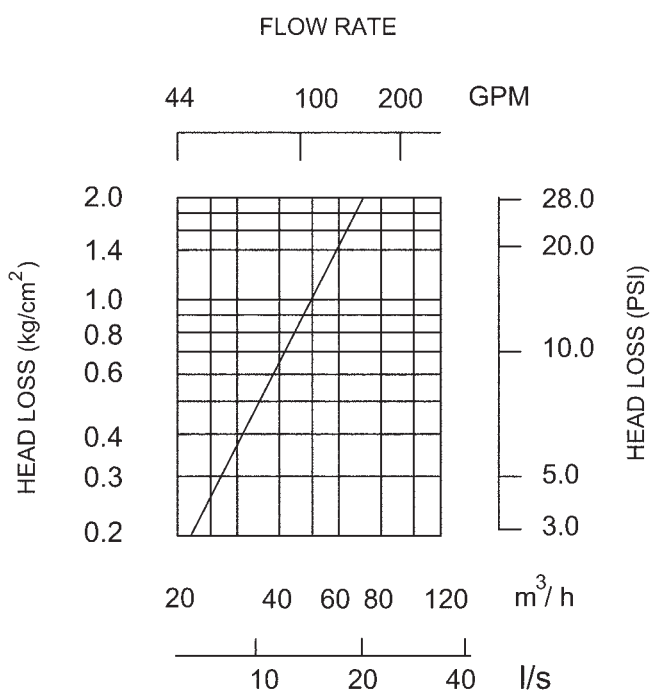
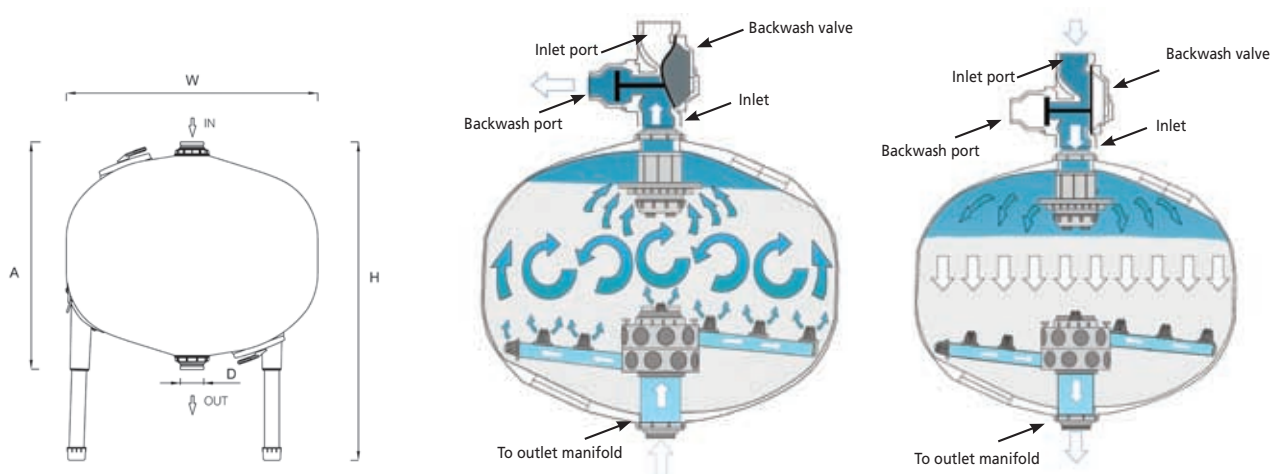
AGF

All Plastic Media Filters

Dimensions and Weights

D-Inlet/Outlet diameter	mm	114	inch	4
H (height)	mm	1553	inch	61
A (Dist. between filters connect)	mm	1110	inch	43 ²³ / ₃₂
W	mm	1227	inch	48 ⁵ / ₁₆
Approximate shipping weight*	kg	120	lbs	265

(*) Weight of media not included



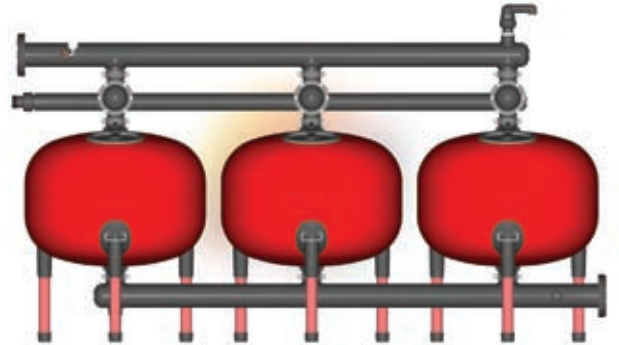
AGF Filters are available in:
Polymer materials

AGF Battery

All Plastic Media Filters

Features

- Corrosion free
- Special synthetic materials
- Unique under-drain "Mushroom" drainage system



Technical Data

Model		AGF-48-2	AGF-48-3	AGF-48-4	AGF-48-5	AGF-48-6		AGF-48-2	AGF-48-3	AGF-48-4	AGF-48-5	AGF-48-6	
METRIC							US						
Connection diameter	mm	160	160	225	225	225	inch	6	6	8	8	8	
Filtration surface area	m ²	2.32	3.48	4.64	5.80	6.96	ft ²	25.00	37.50	50.00	62.50	75.00	
Minimum backwash pressure	bar	2					psi	28					
Maximum pressure	bar	6					psi	85					
Backwash flow rate	m ³ /h	40-60					gpm	176-264					
Maximum temp.	°C	50					°F	122					

Maximum Filtration Flow Rate / Water Quality

No. of units		AGF-48-2	AGF-48-3	AGF-48-4	AGF-48-5	AGF-48-6	AGF-48-2	AGF-48-3	AGF-48-4	AGF-48-5	AGF-48-6	
Filtration Grade	Water Quality	m ³ /h					gpm					
Media: Basalt media grade 2												
100-80 μ	Good	136	204	272	340	408	598	898	1197	1496	1795	
	Average	102	153	204	255	306	449	673	898	1122	1346	
	Poor	82	122	163	204	245	359	539	718	898	1077	
	Very Poor	65	98	131	163	196	287	431	574	718	862	
Media: Quartz media grade 1 for nominal depth filtration												
50-20 μ	Good	35	52	70	88	104	154	231	308	385	462	
	Average	32	48	64	80	96	141	210	282	350	420	
	Poor	26	39	52	65	78	114	171	229	285	342	
	Very Poor	20	30	40	50	60	88	132	176	220	264	
Media: AFM Media gradient for absolute depth filtration. Advantage in high organic load in raw water												
20-10 μ	Good	44	66	88	110	132	194	291	387	485	582	
	Average	38	57	76	95	114	167	250	334	418	501	
	Poor	32	48	64	80	96	141	210	282	350	420	
	Very Poor	26	39	52	65	78	114	171	229	285	342	

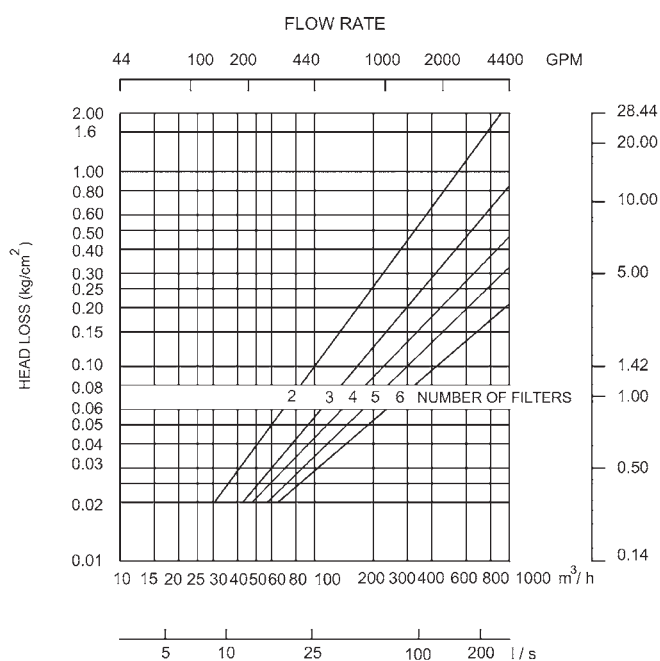
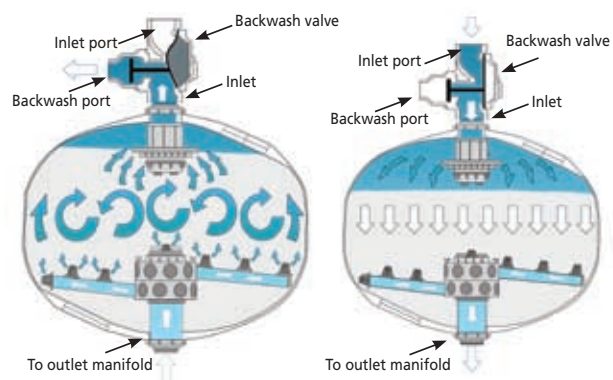
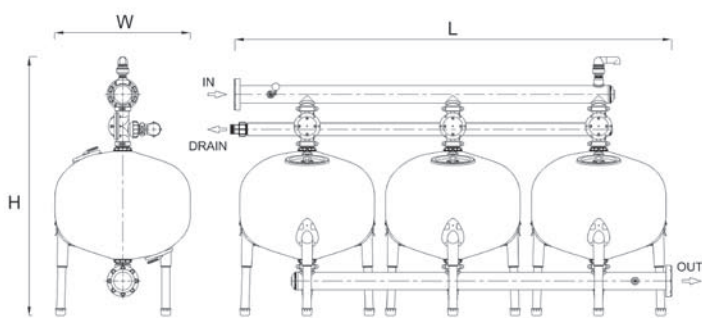
AGF Battery

All Plastic Media Filters

Dimensions and Weights

Model		AGF-48-2	AGF-48-3	AGF-48-4	AGF-48-5	AGF-48-6		AGF-48-2	AGF-48-3	AGF-48-4	AGF-48-5	AGF-48-6
D (inlet / outlet diameter)	mm	160	160	225	225	225	inch	6	6	8	8	8
H (height)	mm	1991	1991	2017	2017	2017	inch	78	78	79	79	79
A (Dist. between filters connect)	mm	2630	3950	5270	6590	7910	inch	104	155	207	259	311
W	mm	1227	1227	1227	1227	1227	inch	48	48	48	48	48
Approximate shipping weight (*)	kg	240	360	480	600	720	lbs	529	794	1058	1323	1587

(*) Weight of media not included



AGF Filter Batteries are available in:
 Polymer materials and polypropylene manifolds

06-0708-DRP-PS-0201-EN

