

PETROL POWERED WATER MOVER

**Model Numbers: G8016 Honda Recoil Start
G8016E Honda Electric Start
G8027/SIC Yanmar Recoil Start
G8027E/SIC Yanmar Electric Start**

DEPEND ON
DAVEY

WATER PRODUCTS



SELF PRIMING PUMPS

PRODUCT DESCRIPTION

Rugged, economical open impeller self priming pumps. These units are driven by either Honda overhead valve GX200 petrol engines or L70 diesel engines.

APPLICATIONS

- Septic tank pump-out
- Tank filling
- Irrigation
- Garden watering
- Water transfer
- Dewatering

FEATURES & BENEFITS

PUMP

Corrosion resistant marine grade aluminium casing, suction and discharge port for longer life.

Heavy duty cast iron open impeller & diffuser to extend pump life when pumping dirty water with some solids content.

Nitrile rubber seal and casing orings for improved reliability in varying water quality.

Mechanical shaft seal for long life.

Diesel models are equipped with special hard faced SICxSIC seals for extra long life with dirty water.

Able to self prime from 6m*, for improved versatility.

Includes powdercoated steel roll frame with anti-vibration mounting for easy transport.

*At 3600rpm, priming may be reduced at lower speeds.

ENGINE

Petrol

High quality Honda GX200 petrol engine, which has European Community and USA EPA and CARB environmental standards compliance.

Two stage air cleaner and cast iron sleeved cylinder bore for long engine life.

Low oil protection for operator peace of mind.

Diesel

High quality Yanmar L70 diesel engine, selected for a broad range of environments and altitudes to ensure ample engine reserves for most applications.

Starting Options

Both engine options are available with recoil starters or with electric start with recoil start back-up.

Note: Battery & leads not included.

OPERATING LIMITS

Maximum flow to	1000 lpm
Maximum total head	32m
Maximum suction lift	7m
Maximum water temperature	50°C
Minimum water temperature	1°C
Minimum suction pipe size	3"
Inlet size	3" BSP(M)
Outlet size	3" BSP(M)

TECHNICAL SPECIFICATIONS

MATERIALS OF CONSTRUCTION

PART	MATERIAL
Suction cover	Aluminium
Diffuser	Cast iron
Impeller	Cast iron
Yoke & casing	Aluminium
Discharge	Aluminium
Casing bolts	Zinc plated steel
Yoke bolts	Stainless steel
Flap valve	Nitrile rubber
Seal ring	Nitrile rubber
Casing o-ring	Nitrile rubber
Mechanical seal	
Petrol models	Carbon ceramic
Diesel models	Silicon carbide x silicon carbide

ENGINE SPECIFICATIONS

Pump Model	G8016	G8027
Engine Brand	Honda	Yanmar
Engine Model	GX200	L70AE
Engine Type	Petrol	Diesel
Displacement (cc)	196	296
Fuel Tank (litres)	3.6	3.5
Oil Capacity (litres)	0.6	1.1
Compression Ratio	8.5:1	19.5:1
Air Filter Type	Dual-Foam/ Paper	Dry Element
Spark Arrestor	NO	
Approx. fuel consumption @ full load @ 3600rpm	2.05 l/hr	1.6 l/hr
dB(A) @ 7m @ 3600rpm @ full load	79	80.5

INSTALLATION & PRIMING

- Fit strainer to bottom of suction pipe; a foot valve is not required.
- To prime, fill pump body with water then allow pump to run until drawing water.

This literature is not a complete guide to product usage. Further information is available from your Davey dealer, Davey Customer Service Centre and from the relevant product Installation and Operating Instructions. This data sheet must be read in conjunction with the relevant product Installation and Operating Instructions and all applicable statutory requirements. Product specifications may change without notice.

© Davey is a registered trademark of Davey Water Products Pty Ltd. © Davey Water Products Pty Ltd 2000.

DEPEND ON
DAVEY

WATER PRODUCTS

Davey Water Products Pty Ltd

Member of the GUD Group
ABN 18 066 327 517
Head Office and Manufacturing
 6 Lakeview Drive,
 Scoresby, Australia 3179
 Ph: +61 3 9730 9222
 Fax: +61 3 9753 4100
 Website: davey.com.au
Customer Service Centre
 Ph: 1300 367 866
 Fax: 1300 369 119
 E-mail: sales@davey.com.au
Interstate Offices
 Sydney • Brisbane • Adelaide
 Perth • Townsville

International

6 Lakeview Drive,
 Scoresby, Australia 3179
 Ph: +61 3 9730 9121
 Fax: +61 3 9753 4248
 E-mail: export@davey.com.au

Germany

Kantstrasse 53,
 04275 Leipzig
 Ph: +49 341 301 0412
 Fax: +49 341 301 0413
 E-mail: akrenz@daveyeurope.com

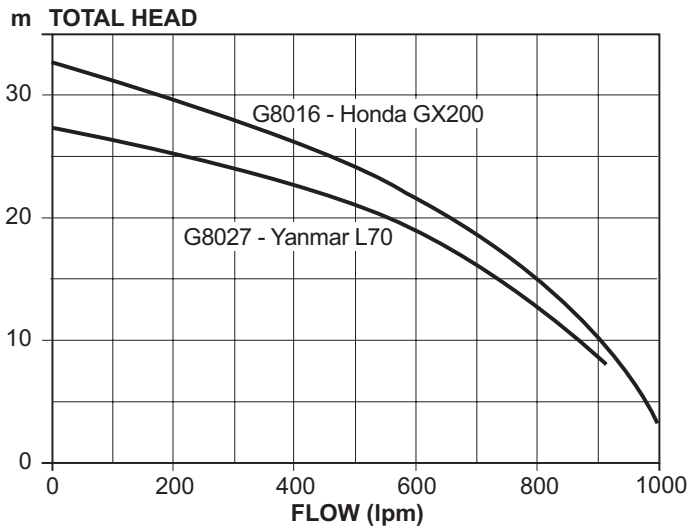
New Zealand

7 Rothwell Avenue,
 Penrose, Auckland 1330
 Ph: +64 9 570 9135
 Fax: +64 9 527 7654
 Website: daveynz.co.nz
 E-mail: sales@daveynz.co.nz

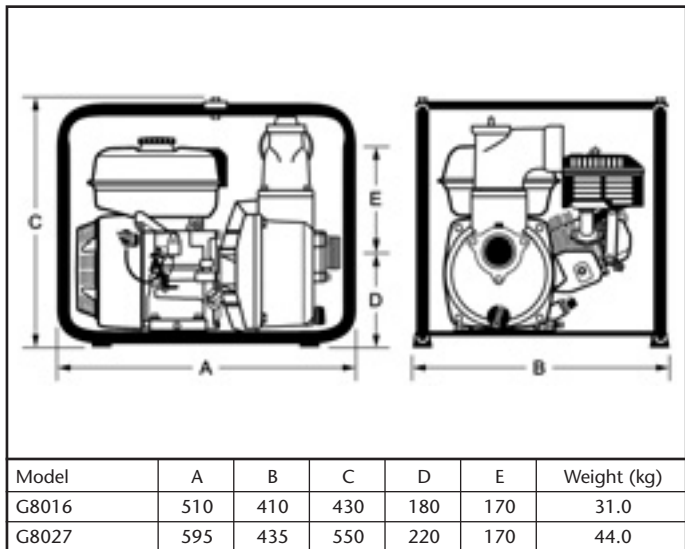
USA - Davey Pumps Inc.

1005 N. Commons Drive
 Aurora, Illinois 60504
 Ph: +1 630 898 6976
 Fax: +1 630 851 7744
 Website: daveyusa.com
 E-mail: sales@daveyusa.com

HYDRAULIC PERFORMANCE



DIMENSIONS



All dimensions in mm unless otherwise stated. Above illustration is indicative only for the diesel powered model. Add 1kg for Electric Start engine option.



Visit Davey on-line for further information
davey.com.au