

PRESSURE PUMPS

Model Numbers:

Dynajet® XJ ULTRA, XJ70P
& XJ90P

Build Prefix:

72511, 72711 & 72911

DEPEND ON
DAVEY

WATER PRODUCTS



DYNAJET® PRESSURE PUMPS

PRODUCT DESCRIPTION

Economical, compact 50, 70 and 90lpm home pressure systems driven by a single stage jet assisted centrifugal pump, with preset pressure switch included.

Supercell 8C or 18C pressure vessel required and purchased separately.

APPLICATIONS

- Ideal for average homes with modern appliances to large double story homes
- Domestic water supply
- Pressure boosting
- Automatic water transfer

DESIGN FEATURES

PUMP

Single stage jet assisted centrifugal with closed vane impeller.

Brass pump shaft sleeve.

Internal suction side check valve fitted.

Mechanical shaft seal.

Pressure switch control with adjustable cut-in and cut-out pressure.

MOTOR

Davey manufactured.

2 pole, 2850rpm, 50Hz.

TEFC with IP55 enclosure.

Class F insulation.

Permanently split capacitor design.

Double contact sealed C3-HTG rated ball bearings.

Protected against both high operating temperatures and high current by a built-in automatically resetting thermal overload.

TANK

Required - purchased separately.

Davey Supercell 8C or 18C recommended.

BENEFITS

- Manufactured from highest quality corrosion resistant materials
- Compact foot print for quick and easy installation
- Fully adjustable pressure switch allows for installation adjustments
- TEFC motor - corrosion resistant and excludes dust and dirt
- Motor and pump designed for frequent starts
- Every unit individually tested to guarantee reliable operation
- Low maintenance
- Easy to service if required

OPERATING LIMITS

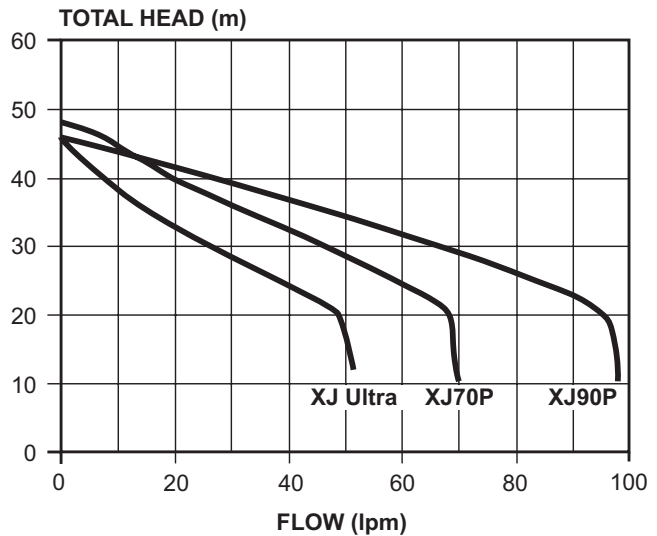
	XJ Ultra	XJ70P	XJ90P
Capacities to	50lpm	70lpm	90lpm
Maximum total head	46m	48m	46m
Cut-in pressure (factory setting)	180kPa	210kPa	210kPa
Cut-out pressure (factory setting)	390kPa	420kPa	350kPa
Maximum Liquid Temperature		50°C	
Maximum Ambient Temperature		55°C	
Maximum Suction Lift		7m	
Inlet size (BSP)	1" F	1 1/4" F	1 1/4" F
Outlet size (BSP)	1" F	1" F	1" F

TECHNICAL SPECIFICATIONS

MATERIALS OF CONSTRUCTION

PART	MATERIAL
Impellers	Glass filled polycarbonate
Pump casing	Glass filled Noryl
Pump shaft sleeve	Brass
Internal check valve	Delrin
Internal check valve spring	Stainless spring steel
Jet and Venturi	Acetal
Inlet & outlet ports	Glass filled Noryl
Seal ring (stationary)	Carbon
Seal ring (rotating)	Ceramic
Seal spring	304 Stainless Steel
Orings	Nitrile rubber

HYDRAULIC PERFORMANCE

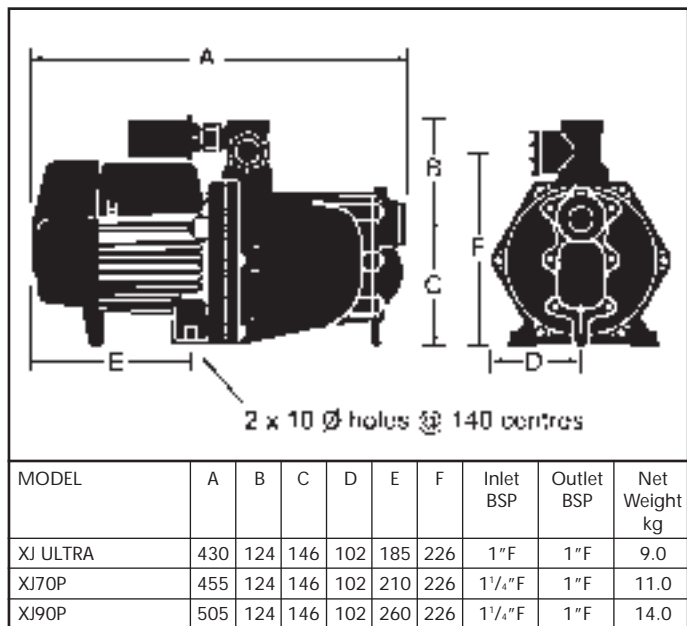


ELECTRICAL DATA

	XJULTRA	XJ70P	XJ90P
Supply voltage	220-240V		
Supply frequency	50Hz		
Input power (P1)	0.84kW	1.15kW	1.4kW
Output power (P2)	0.58kW	0.8kW	1.1kW
Full Load Current	3.6A	5.1A	6.6A
Locked Rotor Current	12.0A	18.0A	28.0A
Starting	P.S.C.		
Insulation class	Class F		
IP Rating	IP55		



DIMENSIONS



All dimensions in mm unless otherwise stated.

INSTALLATION & PRIMING

- On installations with suction lifts over 1m, a good quality foot valve should be fitted. In this case the in-built check valve must be removed from the suction inlet before installing suction piping.
- The system is primed by filling the pump and suction line with water through the priming port, and replacing priming plug prior to switching on.

This literature is not a complete guide to product usage. Further information is available from your Davey dealer, Davey Customer Service Centre and from the relevant product installation and Operating Instructions. This data sheet must be read in conjunction with the relevant product Installation and Operating Instructions and all applicable statutory requirements. Product specifications may change without notice.

© Davey and Dynajet are registered trademarks of Davey Products Pty Ltd. © Davey Products Pty Ltd 2000.



DEPEND ON
DAVEY

Davey Products Pty Ltd

Member of the GUD Group
 ABN 18 066 327 517
 Head Office and Manufacturing
 6 Lakeview Drive,
 Scoresby, Australia 3179
 Ph: +61 3 9730 9222
 Fax: +61 3 9753 4100
 Website: davey.com.au
 Customer Service Centre
 Ph: 1300 367 866
 Fax: 1300 369 119
 E-mail: sales@davey.com.au
 Interstate Offices
 Sydney • Brisbane • Adelaide
 Perth • Townsville

International
 6 Lakeview Drive,
 Scoresby, Australia 3179
 Ph: +61 3 9730 9121
 Fax: +61 3 9753 4248
 E-mail: export@davey.com.au

Germany
 Kantstrasse 47,
 04275 Leipzig
 Ph: +49 341 301 0412
 Fax: +49 341 301 0413
 E-mail: akrenz@daveyeurope.com

New Zealand
 2 Rothwell Avenue,
 North Harbour, Auckland 1330
 Ph: +64 9 914 3680
 Fax: +64 9 914 3685
 Website: daveynz.co.nz
 E-mail: sales@daveynz.co.nz

USA
 Davey Pumps Inc.
 1005 N. Commons Drive
 Aurora, Illinois 60504
 Ph: +1 630 898 6976
 Fax: +1 630 851 7744
 Website: daveyusa.com
 E-mail: sales@daveyusa.com

WATER PRODUCTS