

# AQUAMATE AUTOMATIC PRESSURE PUMP

Model Numbers: 72111

DEPEND ON  
**DAVEY**

**WATER PRODUCTS**

## PRESSURE PUMPS

### PRODUCT DESCRIPTION

Economical, compact 25lpm jet assisted centrifugal pressure pump. The unit features a TEFC motor and includes a built in pressure accumulator.

### APPLICATIONS

Ideal for pressure boosting applications for :-

- Suburban homes - pressurising drinking water from rain water tanks.
- Small weekenders / cottages - delivering pressurised water from rainwater catchment tanks
- Caravans
- Boats (240V A.C. power)



### FEATURES & BENEFITS

Single stage jet assisted centrifugal pump

- Higher operating pressures
- Less moving parts for increased dependability

Corrosion resistant engineered thermoplastic pump components

- Longer life when pumping a variety of water qualities
- Reduced friction within the casing and impellers
- Pump feet provide outstanding life even when installed on wet surfaces

In-built compact accumulator and pump casing for

- Easier installation in small spaces
- Longer accumulator life

Internal suction check valve for easier installations

High quality purpose built 2 pole IP55 Davey pump motors with

- Choice of 220/240 volt, 50/60Hz, 2850rpm or 110/115 volt, 60Hz, 3420 rpm to suit almost every supply voltage

- Permanent split capacitor starting for dependable and frequent starting everytime
- In-built thermal overload for long motor life and protection against motor damage due to jamming
- High quality C3 - HTG rated fully sealed bearings for longer life
- Fitted with a 2m long power lead with 10amp Australian three pin plug for ease of connection to power supply

Designed with the serviceman and installer in mind

- Suction and discharge are close for easier installation
- Quality components throughout for long life and easier maintenance

Every pump is performance and pressure tested in our factory to ensure quality and reliability

### OPERATING LIMITS

Capacities to	25lpm @ 140kPa
Maximum service pressure	31m
Cut-in pressure	140kPa
Cut-out pressure	280kPa
System draw off	115ml
Maximum liquid temperature	50°C
Maximum ambient temperature	45°C
Maximum suction lift	6m
Inlet size	1" F
Outlet size	1" M

# TECHNICAL SPECIFICATIONS

## MATERIALS OF CONSTRUCTION

PART	MATERIAL
Impellers	Glass filled polycarbonate
Pump casing	Glass filled nylon
Pump shaft	304 stainless steel
Internal check valve	Delrin
Check valve spring	303 stainless steel
Seal ring (stationary)	Ceramic
Seal ring (rotating)	Carbon
Seal ring elastomer	Nitrile rubber
Seal spring	304 stainless steel
O-rings	Nitrile rubber
Jet	Acetal
Venturi/coverplate	Glass filled Noryl
Priming plug	Glass filled polypropylene
Motor shell	Marine grade Aluminium
Shell finish	Baked polyester
Pressure tank diaphragm	Nitrile/butadiene rubber

## ELECTRICAL DATA

Supply voltage	220-240V
Supply frequency	50Hz
Output power (P <sub>2</sub> )	0.2kW
Full load current	2.0A
Locked rotor current	8.8A
Starting	P.S.C.
Enclosure class	IP55
Insulation class	Class F
Pressure switch cut-in	140kPa
Pressure switch cut-out	280kPa

## INSTALLATION & PRIMING

- On installations with suction lifts over 1m, a good quality foot valve should be fitted to avoid loss of prime. In this case the check valve inside the pump should be removed.
- For suction lifts over 1.5m the pressure switch may need to be adjusted to enable the pump to automatically cut-out.
- Fill pump and suction lines through pressure switch port.

This literature is not a complete guide to product usage. Further information is available from your Davey dealer, Davey Customer Service Centre and from the relevant product installation and Operating Instructions. This data sheet must be read in conjunction with the relevant product Installation and Operating Instructions and all applicable statutory requirements. Product specifications may change without notice.

© Davey is a registered trademark of Davey Products Pty Ltd. © Davey Products Pty Ltd 2000.

DEPEND ON  
**DAVEY**

**WATER PRODUCTS**

## Davey Products Pty Ltd

Member of the GUD Group  
ABN 18 066 327 517  
Head Office and Manufacturing  
6 Lakeview Drive,  
Scoresby, Australia 3179  
Ph: +61 3 9730 9222  
Fax: +61 3 9753 4100  
Website: [www.davey.com.au](http://www.davey.com.au)  
Customer Service Centre  
Ph: 1300 367 866  
Fax: 1300 369 119  
E-mail: [sales@davey.com.au](mailto:sales@davey.com.au)  
Interstate Offices  
Sydney • Brisbane • Adelaide  
Perth • Townsville

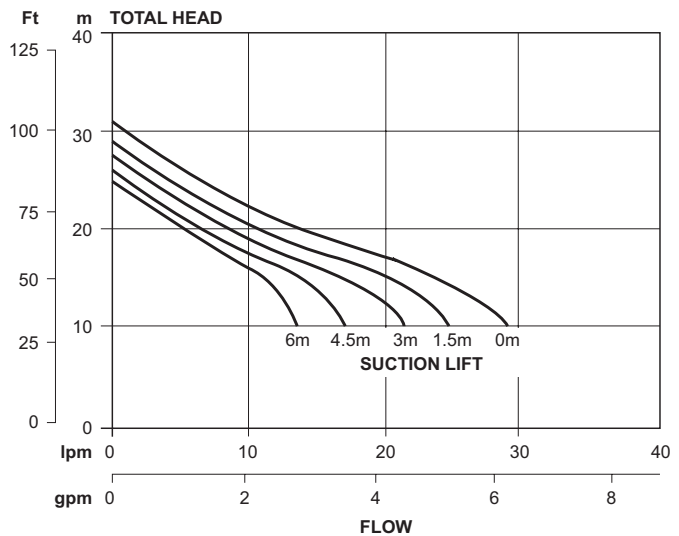
International  
6 Lakeview Drive,  
Scoresby, Australia 3179  
Ph: +61 3 9730 9121  
Fax: +61 3 9753 4248  
E-mail: [export@davey.com.au](mailto:export@davey.com.au)

Germany  
Kantstrasse 47,  
04275 Leipzig  
Ph: +49 341 301 0412  
Fax: +49 341 301 0413  
E-mail: [akrenz@daveyeurope.com](mailto:akrenz@daveyeurope.com)

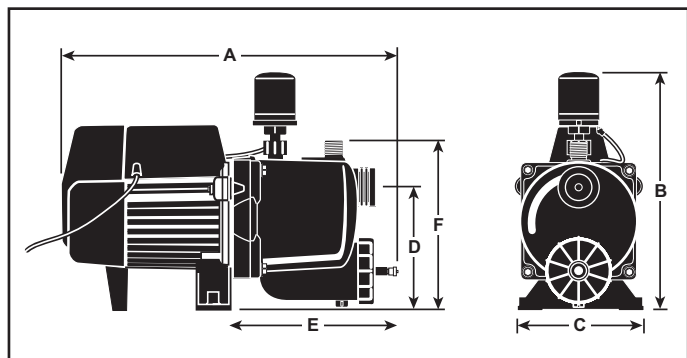
New Zealand  
2 Rothwell Avenue,  
North Harbour, Auckland 1330  
Ph: +64 9 914 3680  
Fax: +64 9 914 3685  
Website: [www.daveynz.co.nz](http://www.daveynz.co.nz)  
E-mail: [sales@daveynz.co.nz](mailto:sales@daveynz.co.nz)

USA - Davey Pumps Inc.  
1005 N. Commons Drive  
Aurora, Illinois 60504  
Ph: +1 630 898 6976  
Fax: +1 630 851 7744  
Website: [www.daveyusa.com](http://www.daveyusa.com)  
E-mail: [sales@daveyusa.com](mailto:sales@daveyusa.com)

## HYDRAULIC PERFORMANCE



## DIMENSIONS



Model	A	B	C	D	E	F	Mounting Holes Dia.	Inlet BSP	Outlet BSP	Net Weight (kg)
Aquamate	390	280	172	131	200	195	10	1" F	1" M	7.5

All dimensions in mm unless otherwise stated.

## MODEL OPTIONS

"Loss of Prime" - model 72111/LOP comes complete with "loss of prime" pressure switch which stops the pump in the event of no water being available to pump.



Visit Davey on-line for further information  
[www.davey.com.au](http://www.davey.com.au)